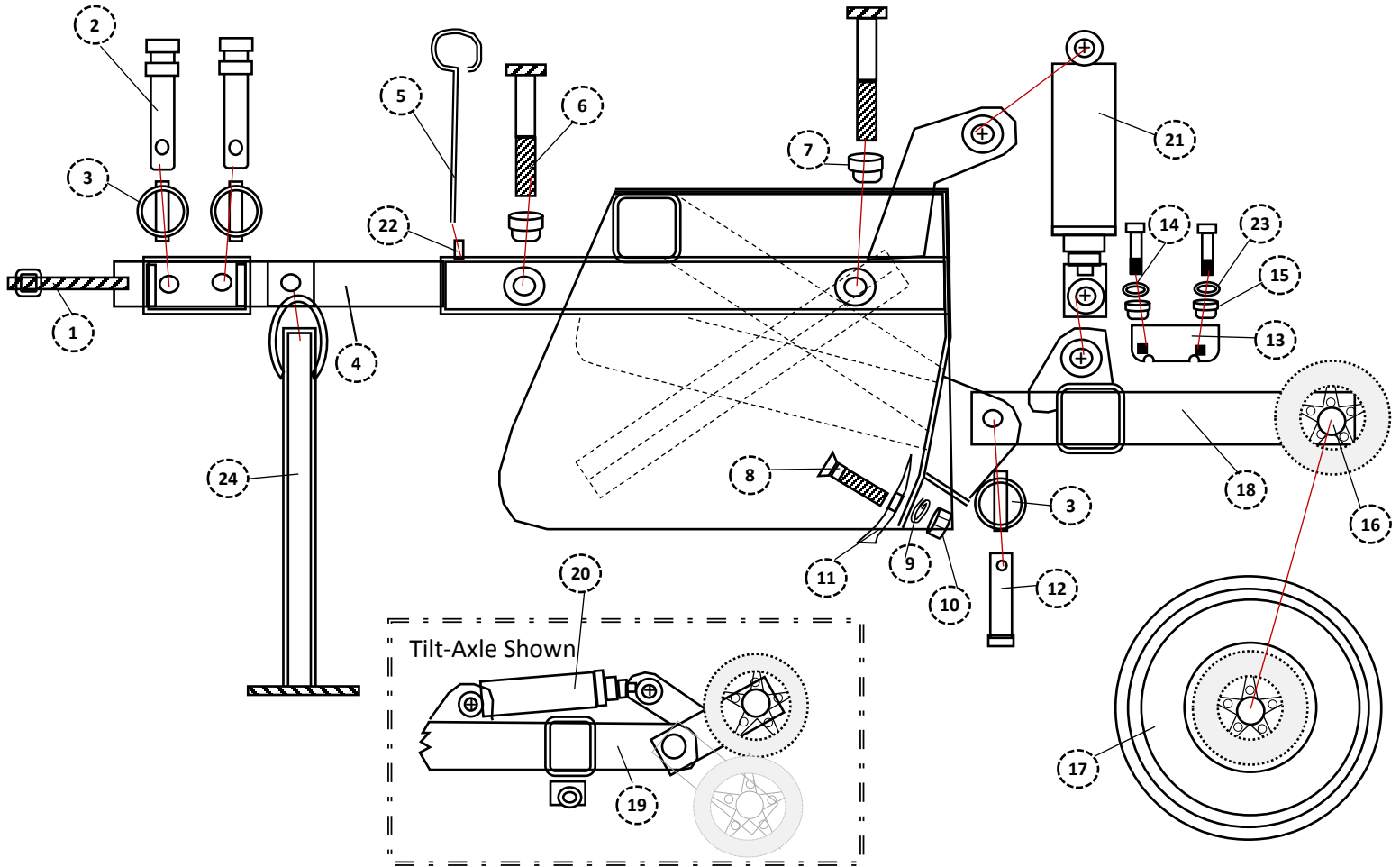


# DRAG SCRAPER

## ALL-PURPOSE AND HIGH CAPACITY

### EXPANDED PARTS INDEX



		8	10	12	14
1	HT001				
1	HT002				
1	HT003				
1	HT004				
2	AP100500C2TL	2	2	2	2
3	P716175LY	4	4	4	4
4	T11DS04	1	1	1	1
5	R01DS763	1	1	1	1
6	B100700-8	2	2	2	2
7	N100L	2	2	2	2
8	B058200P	8	10	12	14
9	W058L	8	10	12	14
10	N058H	8	10	12	14
11	CE	1	1	1	1
12	R08DS01A	1	1	1	1

		8	10	12	14
13	WB60				
13	WB80				
14	B050150-5	4	4	4	4
15	N050L	4	4	4	4
16	HU545-1				
17	NT20				
18	AX001				
18	AX002				
19	TKA-8				
19	TKA-10-12				
20	C26				
21	C38				
22	N038CPL	1	1	1	1
23	W050SAEF	4	4	4	4
24	WF373643	1	1	1	1

**PLEASE NOTE:** The illustrations above are for reference only. SUPERIOR IMPLEMENTS reserves the right to change or correct part numbers, descriptions or dimensions at any time. If you have specific questions about parts not specified in the illustration above, please contact your SUPERIOR IMPLEMENTS authorized dealer.