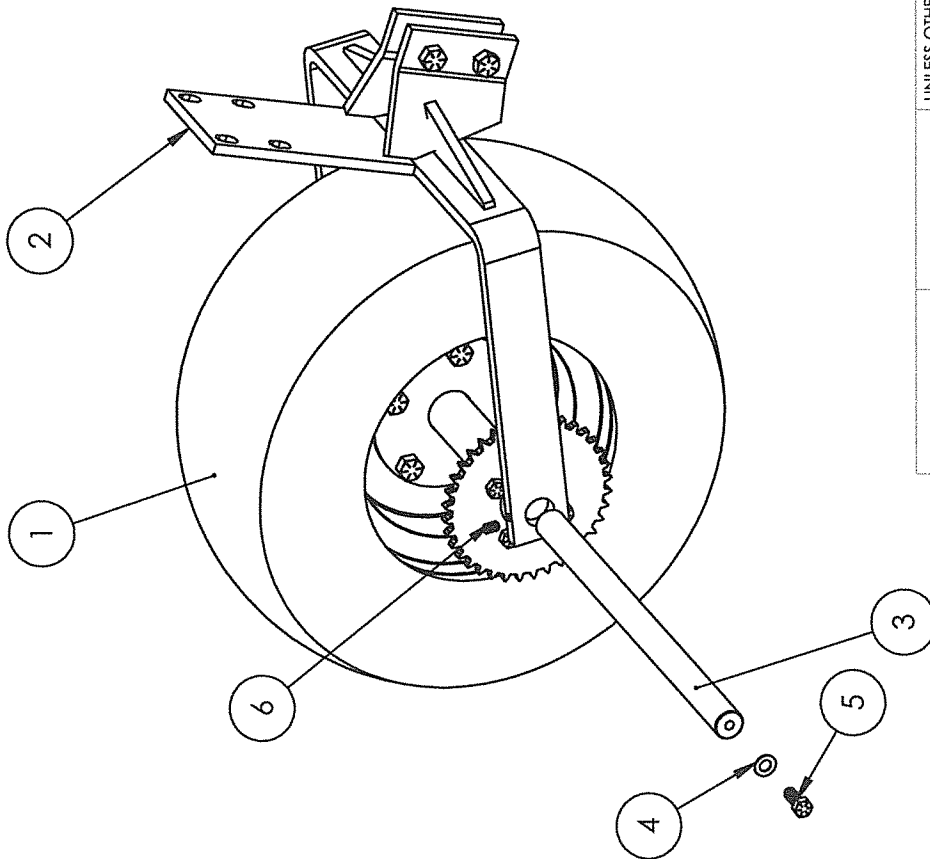


Ref #	Name	Part #	Ref #	Description
1	Packer Wheel Bracket	G3-292	8	3/8" x 1 3/4" Fender Washer
2	Large Sprocket	G3-283	9	3/8"-16 x 1" Hex Head Bolt
3	Axle Bushing	G3-324	10	1/2" x 2 1/2" Hex Head Bolt
4	Packer Wheel Base	NA*	11	1/2" Lock Washer
5	Packer Wheel Tire	G3-125	12	1/2" Hex Nut
6	Packer Wheel Inner Axle	G3-177	13	3/8" x 1" Hex Head Bolt
7	Chain (Not Shown)	G3-321	14	3/8" Serrated Hex Flange Nut
3,4,5	Packer Wheels w/Tires	G3-120		
3,4	Packer Wheels No Tires	G3-121		
1-9, 13-14	Packer Wheel Assembly	G3-100		

All hardware listed is coarse thread (UNC) and Grade 5 or better unless otherwise noted.

2

1



B

ITEM NO.	PART NUMBER	DESCRIPTION	QTY.
1	G3-130S	SINGLE PW WITH TIRE AND SPROCKET	1
2	G3-292	PACKER WHEEL BRKT ASSEMBLY	1
3	G3-177	PACKER WHEEL INNER AXLE	1
4	3/8 WASHER	WASHER	2
5	3/8 - 16 X 1.25" SERRATED HEX BOLT	INNER AXLE BOLT	2
6	5/16 - 18 X .50" SET SCREW	SET SCREW	1
7	G3-321	CHAIN (NOT SHOWN)	1
8	GD-42	GA300/400/500 PACKER WHEEL TIRE INFO STICKER	1

A

UNLESS OTHERWISE SPECIFIED:		NAME	DATE
DIMENSIONS ARE IN INCHES		JC	3/13/19
TOLERANCES:			
FRACTIONAL: ±			
ANGULAR: MACH ± BEND ±			
TWO PLACE DECIMAL ±			
THREE PLACE DECIMAL ±			
INTERPRET GEOMETRIC TOLERANCING PER:			
MATERIAL			
FINISH			
NEXT ASSY		USED ON	
APPLICATION		DO NOT SCALE DRAWING	

A

ELSTON MFG

TITLE:

SINGLE PACKER WHEEL ASSY

SIZE DWG. NO. REV

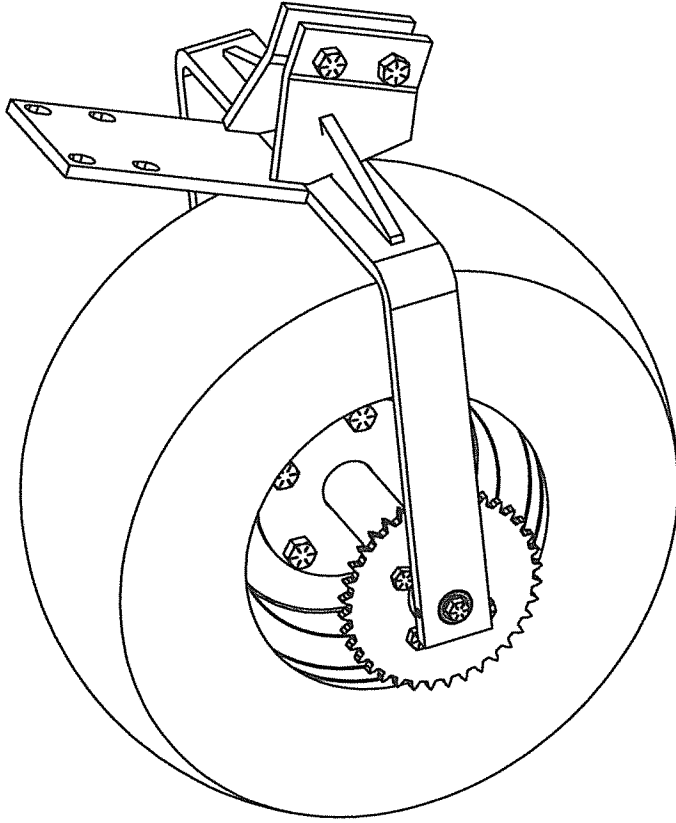
A G3-100S

SCALE: 1:16 WEIGHT: SHEET 1 OF 2

PROPRIETARY AND CONFIDENTIAL
 THE INFORMATION CONTAINED IN THIS DRAWING IS THE SOLE PROPERTY OF <INSERT COMPANY NAME HERE>. ANY REPRODUCTION IN PART OR AS A WHOLE WITHOUT THE WRITTEN PERMISSION OF <INSERT COMPANY NAME HERE> IS PROHIBITED.

2

1



UNLESS OTHERWISE SPECIFIED:		DRAWN	NAME	DATE
DIMENSIONS ARE IN INCHES		CHECKED	JC	3/13/19
TOLERANCES:		ENG APPR.		
FRACTIONAL ±		MFG APPR.		
ANGULAR: MACH ± BEND ±		G.A.		
TWO PLACE DECIMAL ±		COMMENTS:		
THREE PLACE DECIMAL ±				
INTERPRET GEOMETRIC TOLERANCING PER:				
MATERIAL				
FINISH				
NEXT ASSY		USED ON		
APPLICATION		DO NOT SCALE DRAWING		

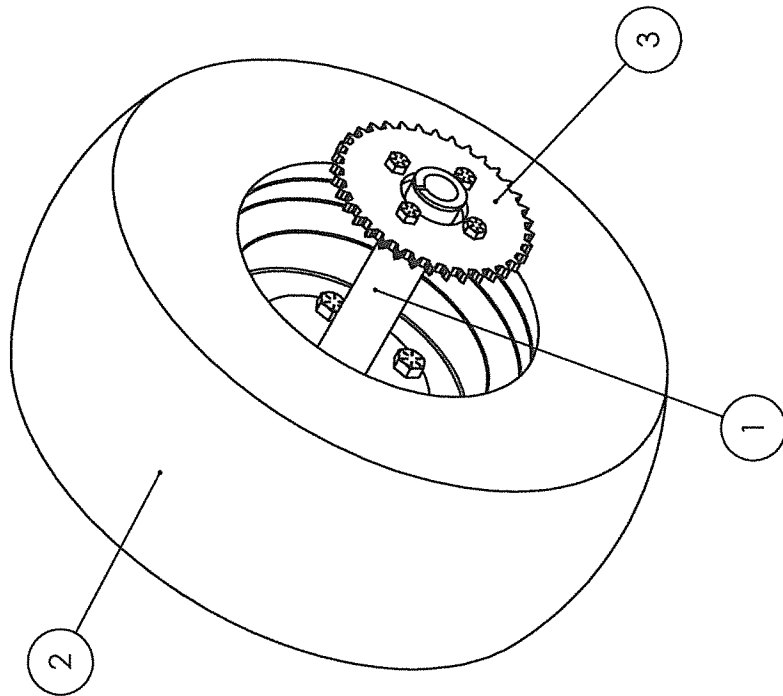
ELSTON MFG

TITLE: SINGLE PACKER WHEEL ASSY

SIZE DWG. NO. REV
A G3-100S

SCALE: 1:16 WEIGHT: SHEET 2 OF 2

PROPRIETARY AND CONFIDENTIAL
 THE INFORMATION CONTAINED IN THIS
 DRAWING IS THE SOLE PROPERTY OF
 <INSERT COMPANY NAME HERE>. ANY
 REPRODUCTION IN PART OR AS A WHOLE
 WITHOUT THE WRITTEN PERMISSION OF
 <INSERT COMPANY NAME HERE> IS
 PROHIBITED.



B

B

ITEM NO.	PART NUMBER	DESCRIPTION	QTY.
1	G3-120S	AXLE ASSEMBLY	1
2	G8-301	TIRE AND RIM ASSEMBLY	1
3	G3-283	CHAIN SPROCKET	1
4	3/8" - 16 X 1" SERRATED HEX BOLT	SPROCKET BOLT	4
5	3/8" - 16 X 1" SERRATED NUT	SPROCKET NUT	4
6	1/2" - 20 X 1" FINE THREAD BOLT	HUB BOLT	5
7	1/2" -20 JAM NUT	HUB NUT	5

A

A

UNLESS OTHERWISE SPECIFIED:		DRAWN	NAME	DATE
DIMENSIONS ARE IN INCHES		CHECKED	JC	3/13/19
TOLERANCES:		ENG APPR.		
FRACTIONAL: ±		MFG APPR.		
ANGULAR: MACH ± BEND ±		G.A.		
TWO PLACE DECIMAL ±		COMMENTS:		
THREE PLACE DECIMAL ±				
INTERPRET GEOMETRIC TOLERANCING PER:				
MATERIAL				
FINISH				
NEXT ASSY		USED ON		
APPLICATION		DO NOT SCALE DRAWING		

ELSTON MFG

TITLE: SINGLE PW WITH TIRE AND SPROCKET

SIZE DWG. NO. **A G3-130S** REV

SCALE: 1:12 WEIGHT: SHEET 1 OF 1

PROPRIETARY AND CONFIDENTIAL
 THE INFORMATION CONTAINED IN THIS DRAWING IS THE SOLE PROPERTY OF <INSERT COMPANY NAME HERE>. ANY REPRODUCTION IN PART OR AS A WHOLE WITHOUT THE WRITTEN PERMISSION OF <INSERT COMPANY NAME HERE> IS PROHIBITED.

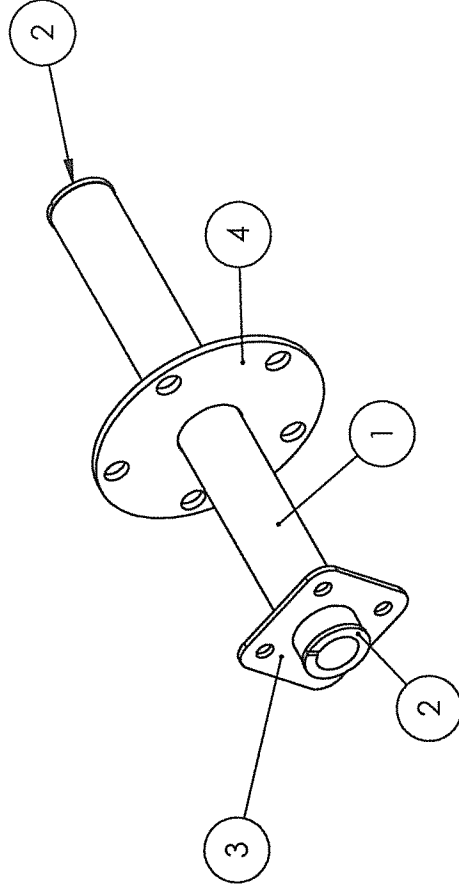
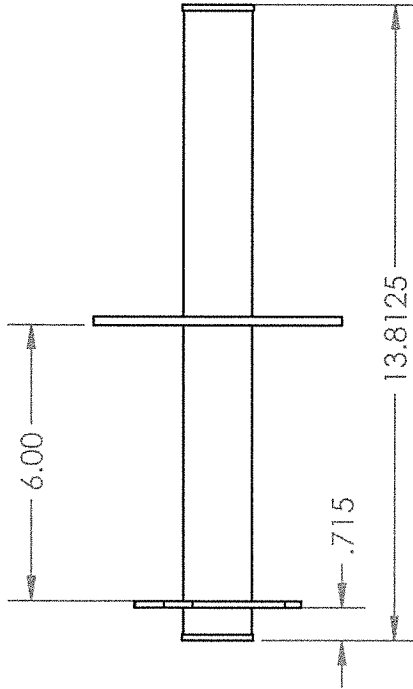
2

1

ITEM NO.	PART NUMBER	DESCRIPTION	QTY.
1	G3-120-02	AXLE TUBE	1
2	G3-324	AXLE BUSHING	2
3	G3-120-03	SPROCKET HUB	1
4	G8-302-03S	TIRE HUB	1

B

B



A

ELSTON MFG		DATE	3/13/19
TITLE: AXLE ASSEMBLY		NAME	JC
UNLESS OTHERWISE SPECIFIED:		DRAWN	CHECKED
DIMENSIONS ARE IN INCHES		ENG APPR.	MFG APPR.
TOLERANCES:		G.A.	COMMENTS:
FRACTIONAL: ±			
ANGULAR: MACH ± BEND ±			
TWO PLACE DECIMAL ±			
THREE PLACE DECIMAL ±			
INTERPRET GEOMETRIC TOLERANCING PER:			
MATERIAL:			
FINISH:			
APPLICATION		DO NOT SCALE DRAWING	
NEXT ASSY	USED ON		
PROPRIETARY AND CONFIDENTIAL THE INFORMATION CONTAINED IN THIS DRAWING IS THE SOLE PROPERTY OF <INSERT COMPANY NAME HERE>. ANY REPRODUCTION IN PART OR AS A WHOLE WITHOUT THE WRITTEN PERMISSION OF <INSERT COMPANY NAME HERE> IS PROHIBITED.		SIZE	DWG. NO.
		A	G3-120S
		SCALE: 1:8	WEIGHT: SHEET 1 OF 1
		REV	

2

1