

ORIGINAL PARTS LIST KS 40 M2 CLASSIC DISC SPREADER

**THE LOW WEIGHT, COMPACT AND VERSATILE SEEDER
IDEAL FOR SMALL WORKING WIDTHS**

Document Number 00601-3-773
APVUS 2019
Revised: 08/2019; Revision: 0.1

APV[®]
www.apv-america.com

Includes Disc Spreader Numbers:

KS 40 M1 Classic

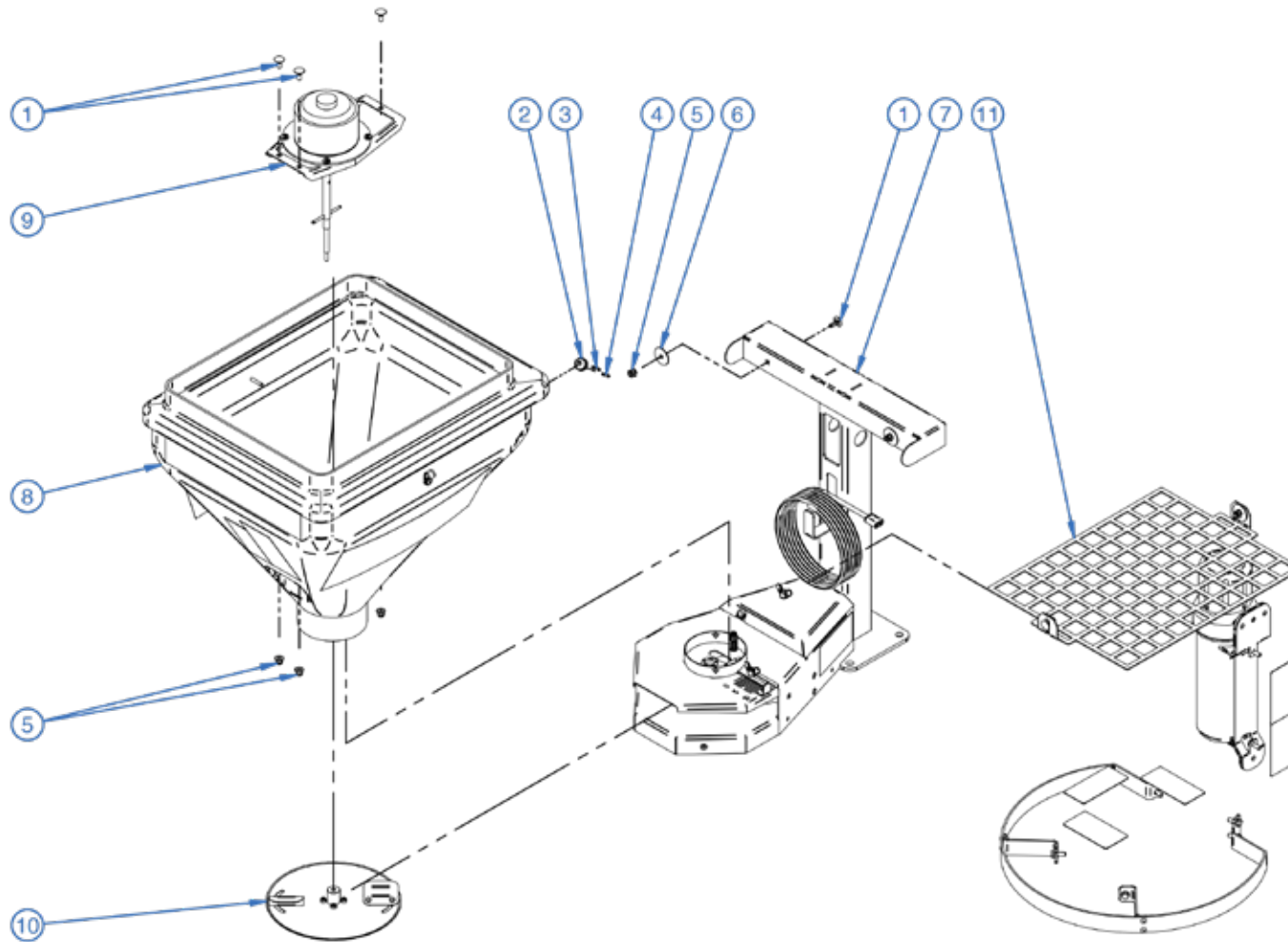
01001-1-001

Table of Contents

KS 40 M2 Classic	4
Hopper KS40, installed	6
Drive train, installed	8
Steel frame (red), installed2	10
Steel frame (red), installed2 (continued)	12
Steel frame (red), installed1 1	14
Safety Kit KS	16
Accessories KS 40 M2	18
Accessories KS 40 M2 (continued)	20
Mounting kit towing hitch	22
Truck bed mounting bracket	24
Mounting kit quad bracket height-adjustable	26
Bracket height-adjustable (added for consistency)	28

KS 40 M2 Classic

01001-1-001



KS 40 M2 Classic

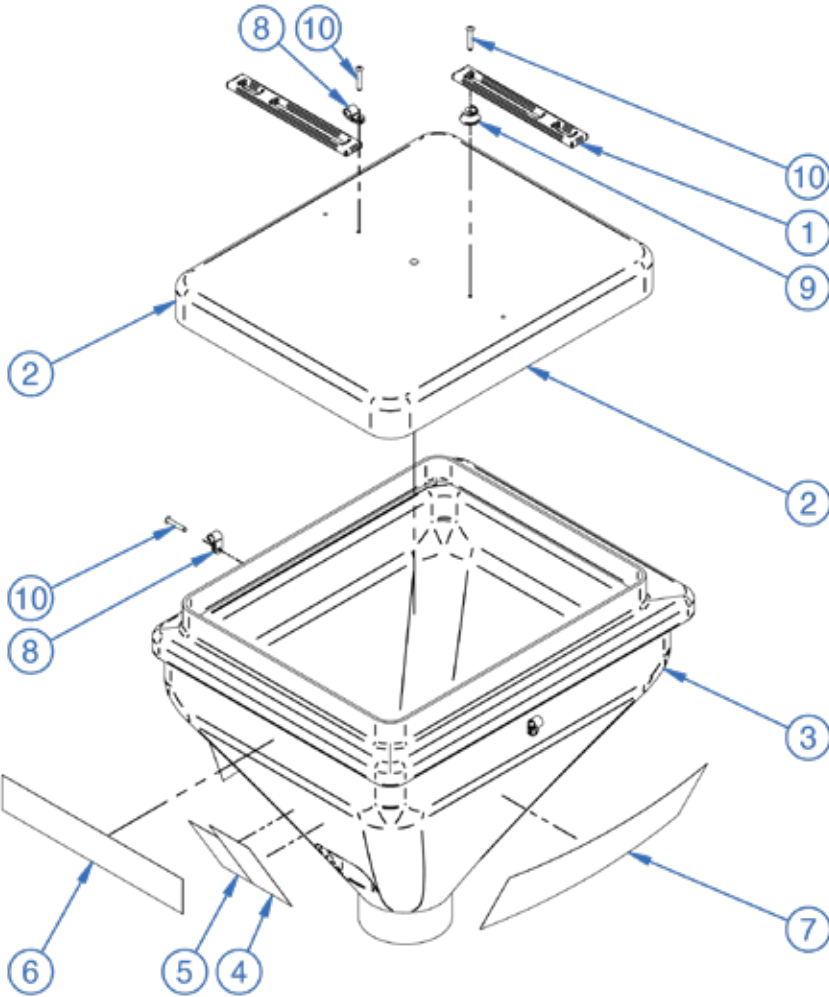
Document Number 00601-3-773
APVUS2019; Revision: 0.1



No.	Part Number	Part Name	Qty	Notes
1	BN248-M6x16	Gate hinge screw	5	
2	00603-3-686	Grommet DNG M16	1	
3	00410-2-058	Adapter KS 40 female	1	
4	00410-2-057	Adapter KS 40 male	1	
5	BN6783-M6	Flanged nut	5	
6	BN732-M6x30	Large diameter washer	2	
7	01001-2-108	Steel frame (red), installed2	1	
8	01001-2-110	Hopper KS 40, installed	1	
9	01001-2-000	Drive train, installed	1	
10	01001-2-102	Disc spreader, installed 212-7-7	1	
11	01001-2-003	Safety Kit KS 40	1	

Hopper KS40, installed

01001-2-110



KS 40 M2 Classic

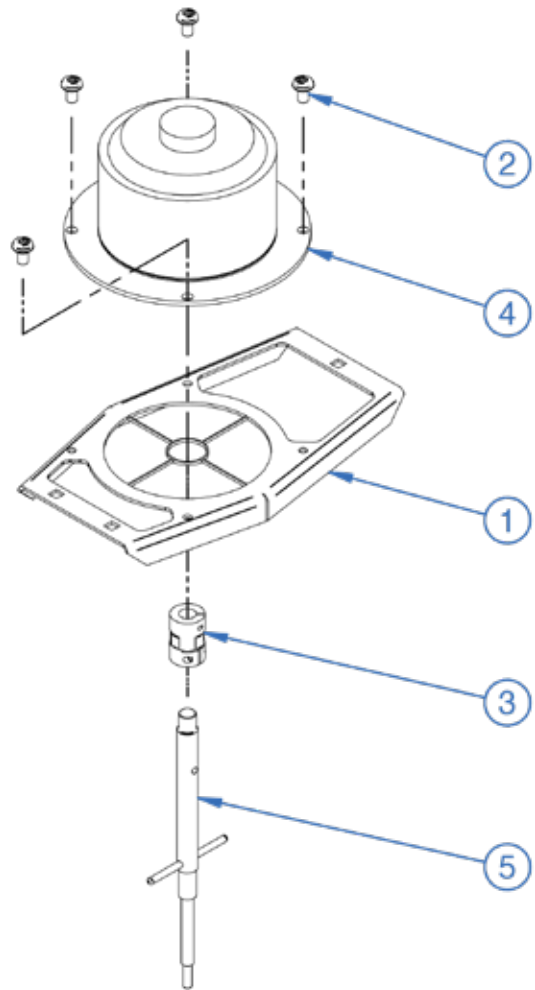
Document Number 00601-3-773
APVUS2019; Revision: 0.1



No.	Part Number	Part Name	Qty	Notes
1	00603-3-691	Rubber tightener	2	
2	00600-3-605	Hopper cover 1.14 bu/1.42 cu ft (black)	1	
3	00600-3-604	Hopper 1.14 bu/1.42 cu ft (yellow)	1	
4	00601-3-640	Sticker, Notice 140x65	1	
5	00601-3-639	Sticker, Notice Operating Manual 110x50	1	
6	00600-3-072	Sticker, KS 40 M2 300x50	1	
7	00600-3-620	Sticker, logo APV 330x110	2	
8	BN20320-9,7	Cable clip	3	
9	00603-3-692	Plastic knob	1	
10	AAN23-4,8x28	Flat round blind rivets	4	

Drive train, installed

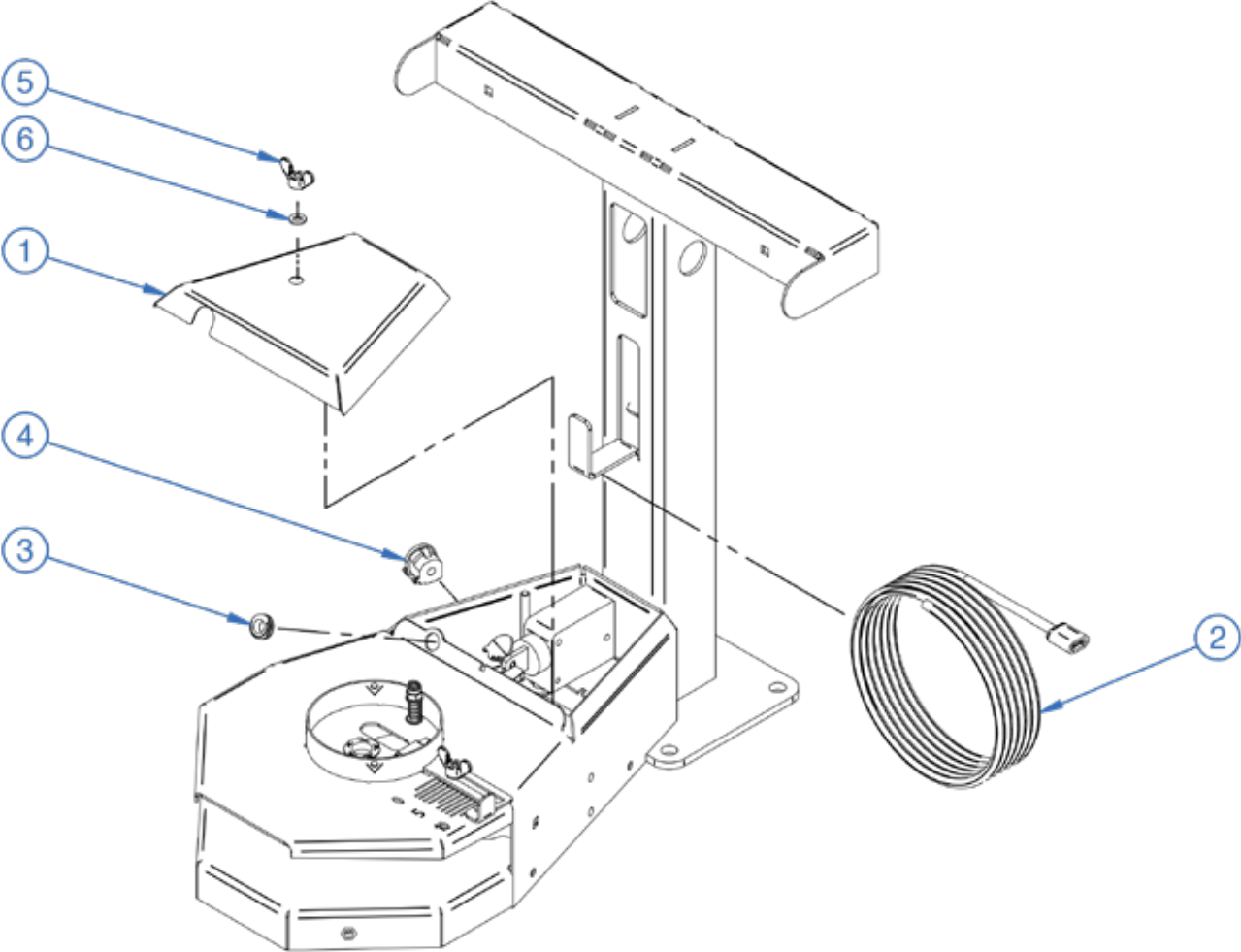
01001-2-000



No.	Part Number	Part Name	Qty	Notes
1	01001-3-412	Motor bracket KS 40	1	
2	BN5653-M6x10	Self threading oval-head screw	4	
3	01001-3-700	Rotex9	1	
4	02001-2-706	Motor DC MF100S, special2	1	
5	01001-2-101	Agitator	1	

Steel frame (red), installed2

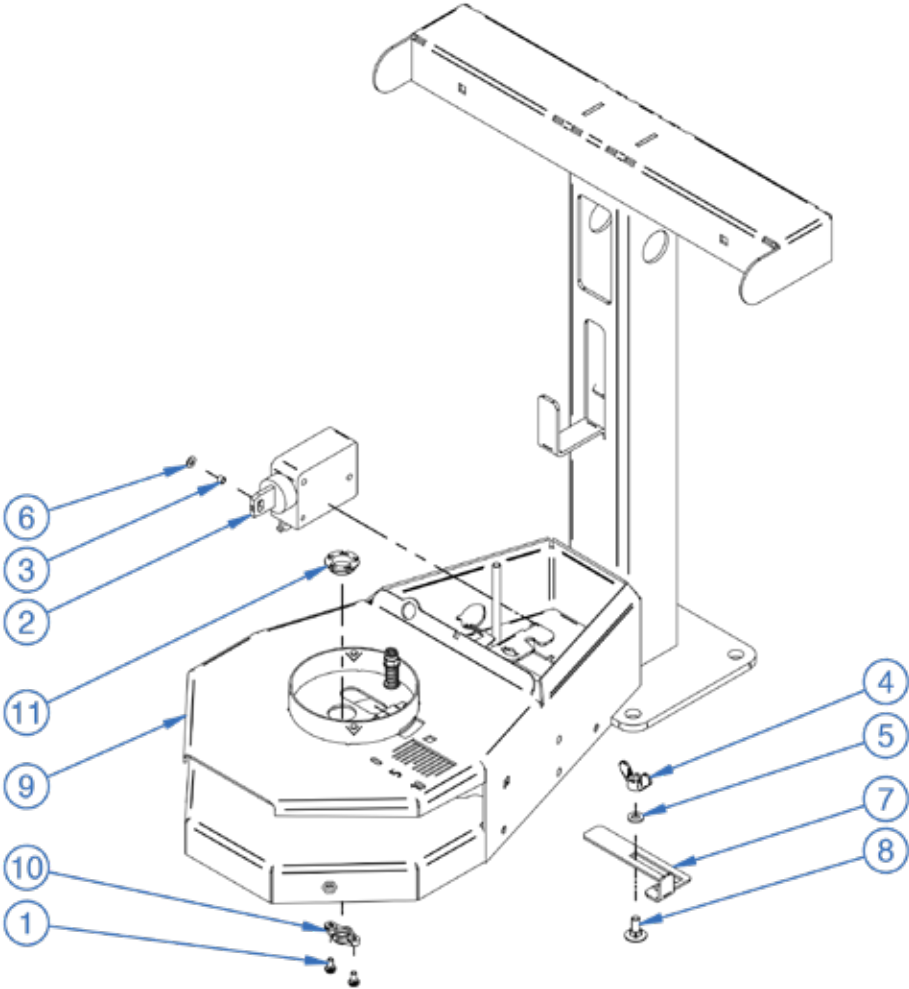
01001-2-108



No.	Part Number	Part Name	Qty	Notes
1	01001-3-408	Slider valve cover	1	
2	00410-2-018	Machine cable ES SS	1	
3	00604-3-679	Grommet 10x12x2	1	
4	00600-3-149	Cable clamp feedthrough RDD201	1	
5	BN208-M6	Wing nut	2	
6	BN715-M6	Washer	2	

Steel frame (red), installed2 (continued)

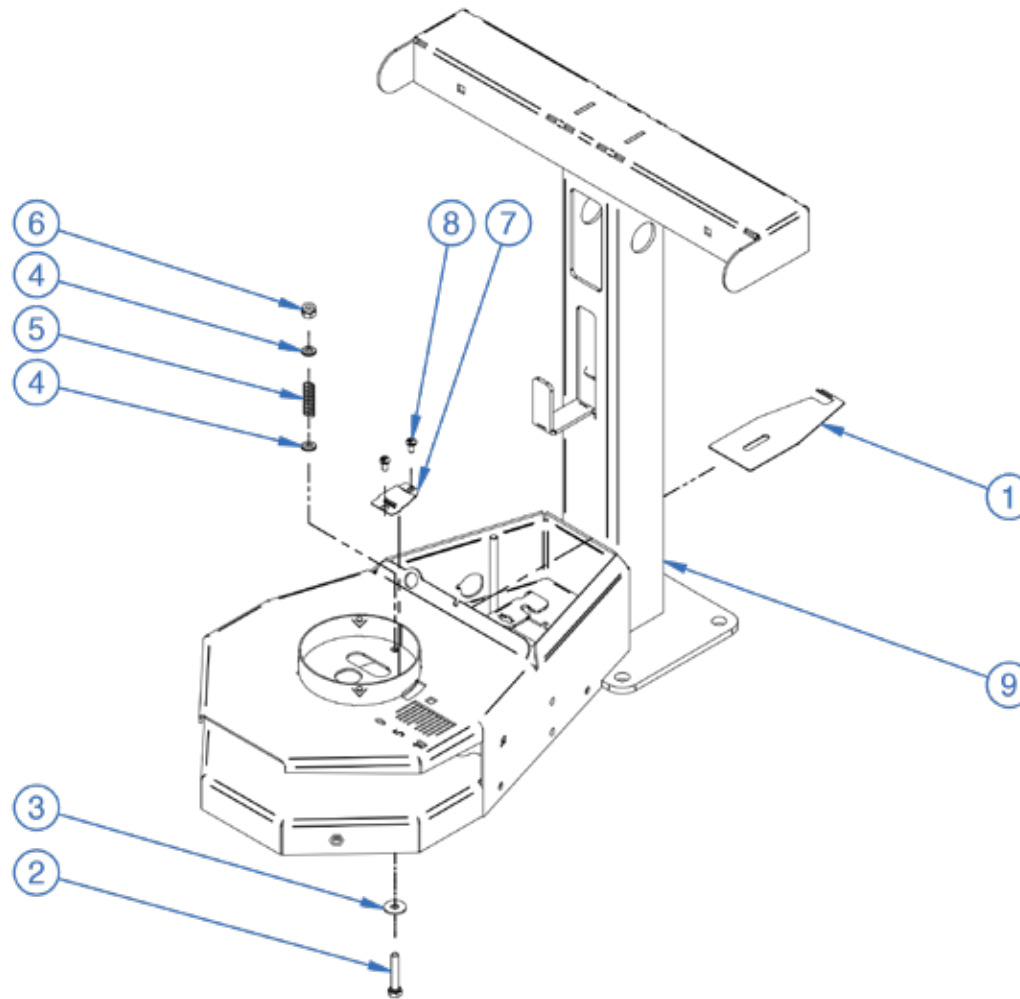
01001-2-108



No.	Part Number	Part Name	Qty	Notes
1	BN5653-M4x8	Self threading oval-head screw	2	
2	00602-3-680	12V Kiekert Servomotor	1	
3	01001-3-500	Slider valve socket	1	
4	BN208-M6	Wing nut	2	
5	BN715-M6	Washer	2	
6	BN715-M4	Washer	1	
7	01001-3-406	Dispense slider	1	
8	BN248-M6x16	Gate hinge screw	1	
9	01001-2-006	Steel frame (red), installed1 1	1	
10	00603-3-653	IGUS bearing	1	
11	00603-3-655	IGUS bearing	1	

Steel frame (red), installed1 1

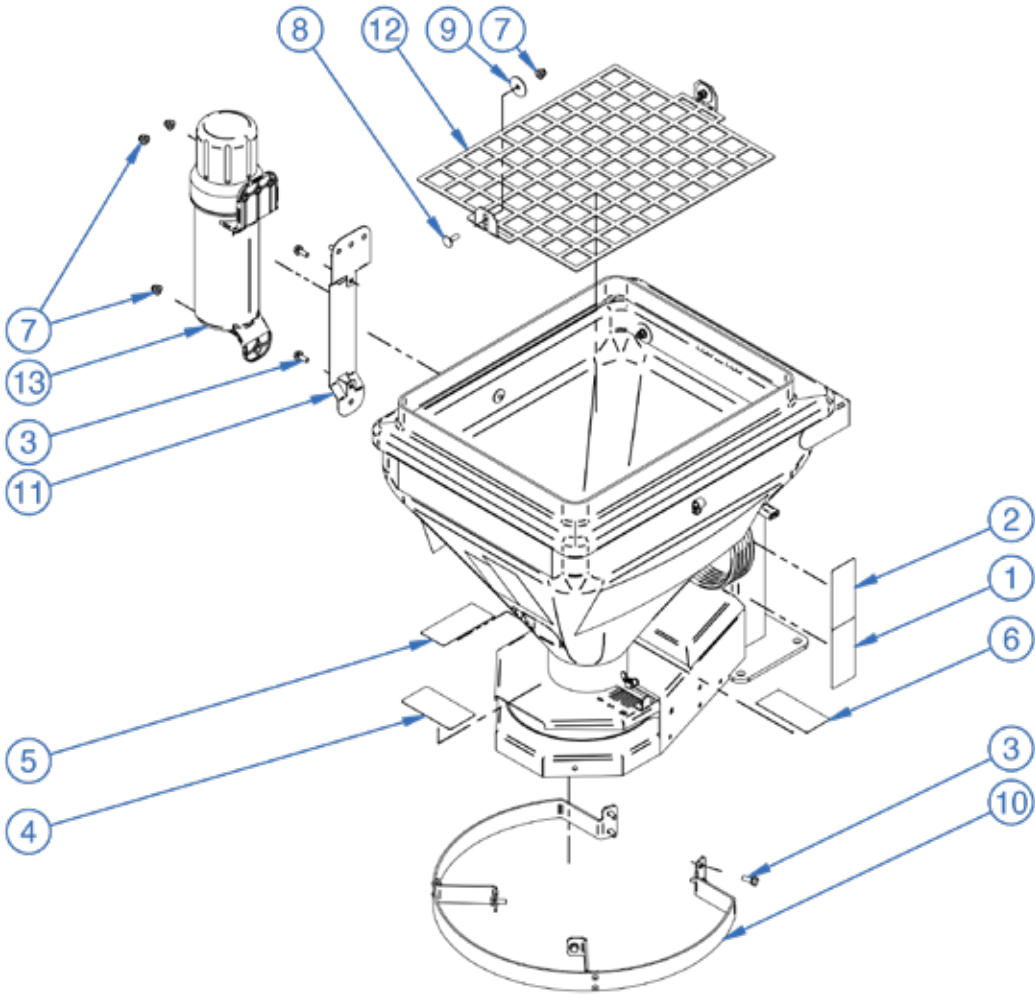
01001-2-006



No.	Part Number	Part Name	Qty	Notes
1	01001-3-301	Servomotor slider valve KS 40	1	
2	BN622-M6x35	Hexagonal bolt	1	
3	BN1075-M6	Washer	1	
4	BN670-M6	Washer	2	
5	01001-3-701	Slide valve spring	1	
6	BN637-M6	Lock nut	1	
7	01001-3-407	Slider valve cover	1	
8	BN5653-M4x8	Self threading oval-head screw	2	
9	01001-2-106	Steel frame (red)	1	

Safety Kit KS

01001-2-003



KS 40 M2 Classic

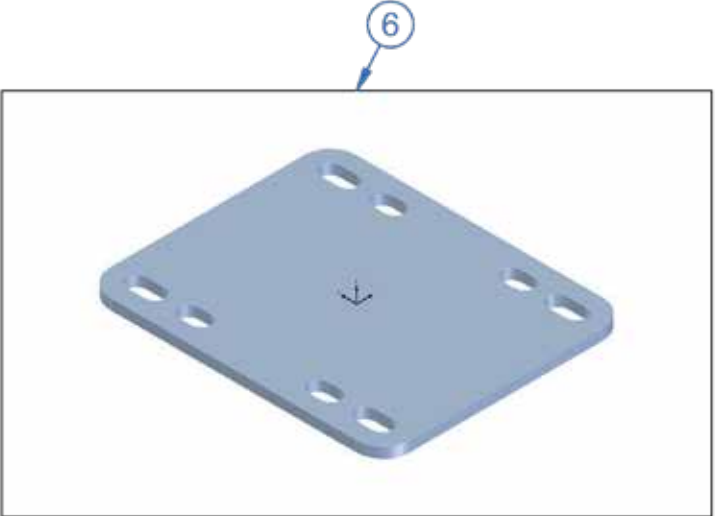
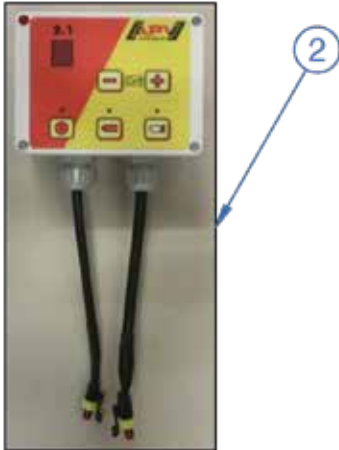
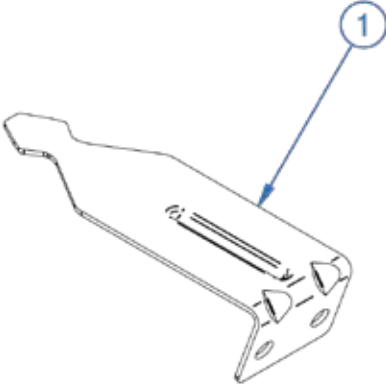
Document Number 00601-3-773
APVUS2019; Revision: 0.1



No.	Part Number	Part Name	Qty	Notes
1	00600-3-686	Sticker, safety ansi 05 100x45	1	
2	00600-3-684	Sticker, safety ansi 04 100x45	1	
3	AAN13-M6x16	Hexagonal screw with flange	8	
4	00600-3-483	Sticker, Safety 01 96x50	1	
5	00600-3-790	Sticker, Safety ansi 09 100x45	1	
6	00600-3-792	Sticker, Safety ansi 11 100x45	1	
7	AAN09-M6	Flanged nut	5	
8	BN645-M6x20	Gate hinge screw	2	
9	BN10342-M6x30	Washer	2	
10	01001-2-007	Metal bracket, installed 1 (red)	1	
11	11000-4-008	Mounting bracket for Operating Manual tube, installed	1	
12	01001-3-000	Agitator grate 1.14 bu/1.42 cu ft (red)	1	
13	00600-2-103	Operating Manual tube	1	

Accessories KS 40 M2

00300-2-114



KS 40 M2 Classic

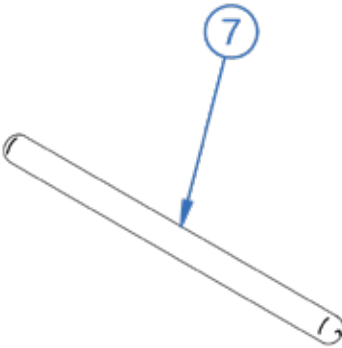
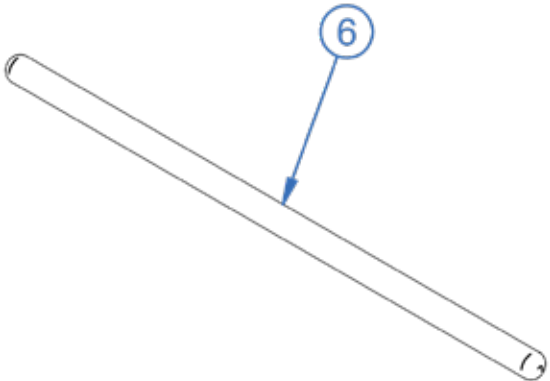
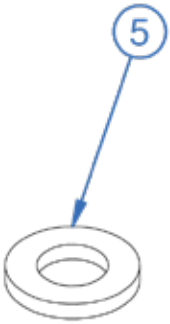
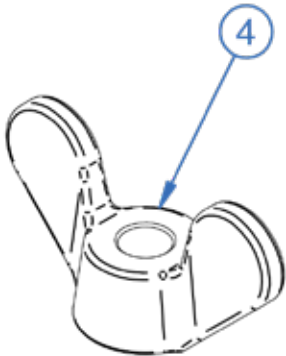
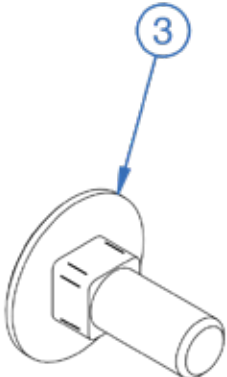
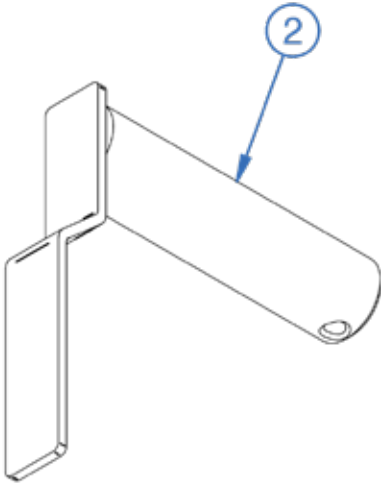
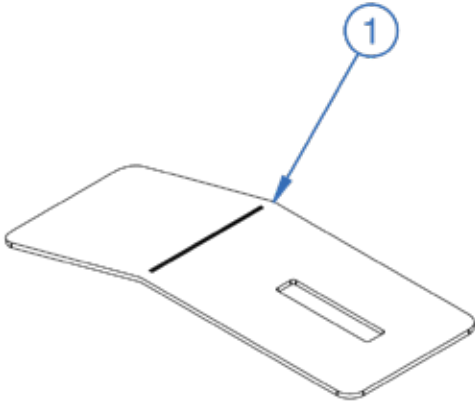
Document Number 00601-3-773
APVUS2019; Revision: 0.1



No.	Part Number	Part Name	Qty	Notes
1	04000-3-418	Angle bracket	1	
2	00420-2-026	2.1 Controller	1	
3	00410-2-029	Power supply 2.X SS-B2 battery	1	
4	00601-3-736	Operating Manual KS 40 M2 Classic APVUS2019	1	
5	00601-3-773	Original Parts List KS 40 M2 Classic APVUS2025	1	
6	02000-3-001	Base plate 1	1	

Accessories KS 40 M2 (continued)

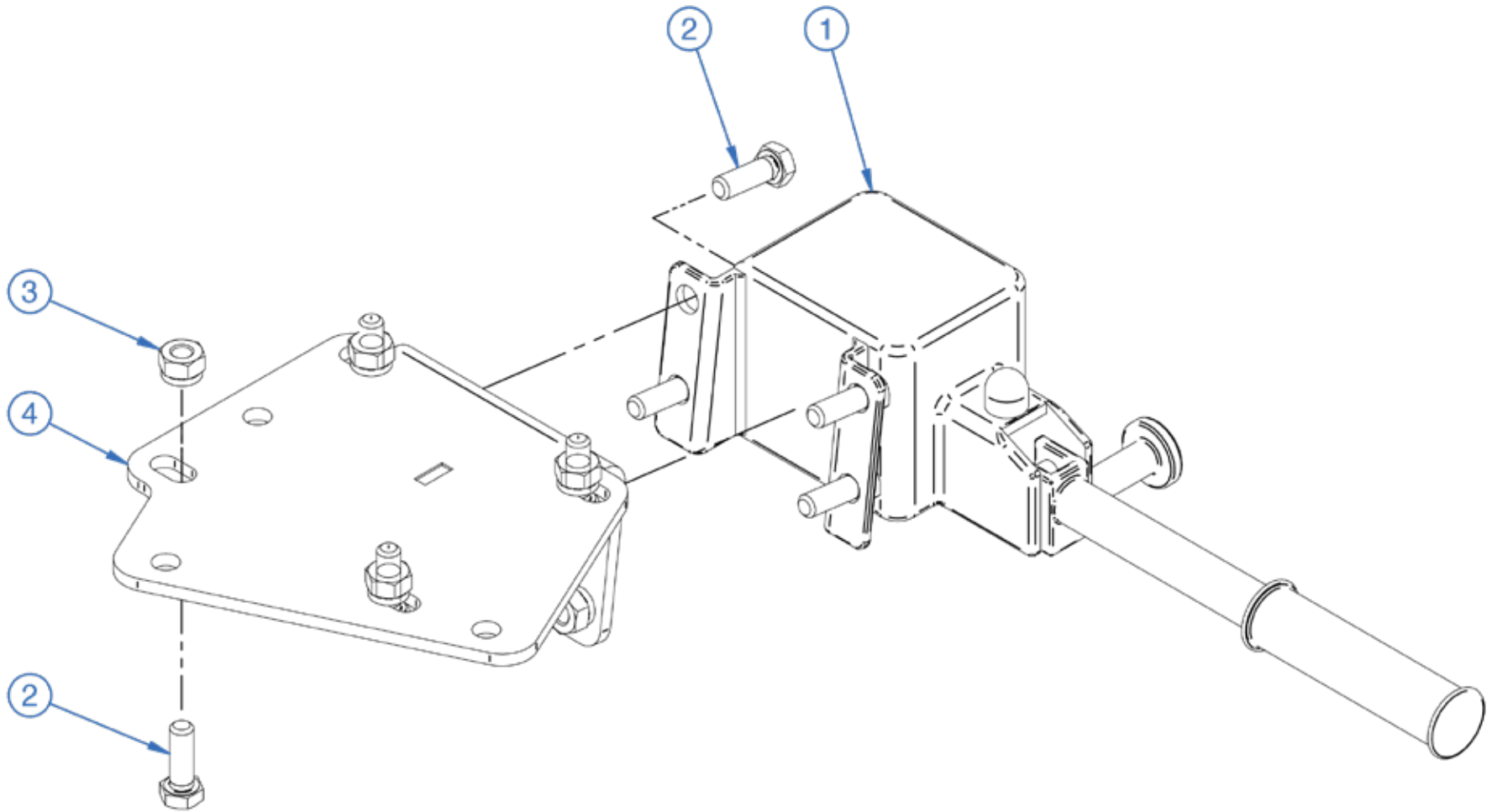
00300-2-114



No.	Part Number	Part Name	Qty	Notes
1	01001-3-405	Deflector	1	
2	02001-2-110	Upper linkage bolt	1	
3	BN248-M6x16	Gate hinge screw	1	
4	BN208-M6	Wing nut	1	
5	BN715-M6	Washer	1	
6	01001-3-201	Agitator pin, upper	1	
7	01001-3-202	Agitator pin, lower	1	

Mounting kit towing hitch

00300-2-107



KS 40 M2 Classic

Document Number 00601-3-773
APVUS2019; Revision: 0.1

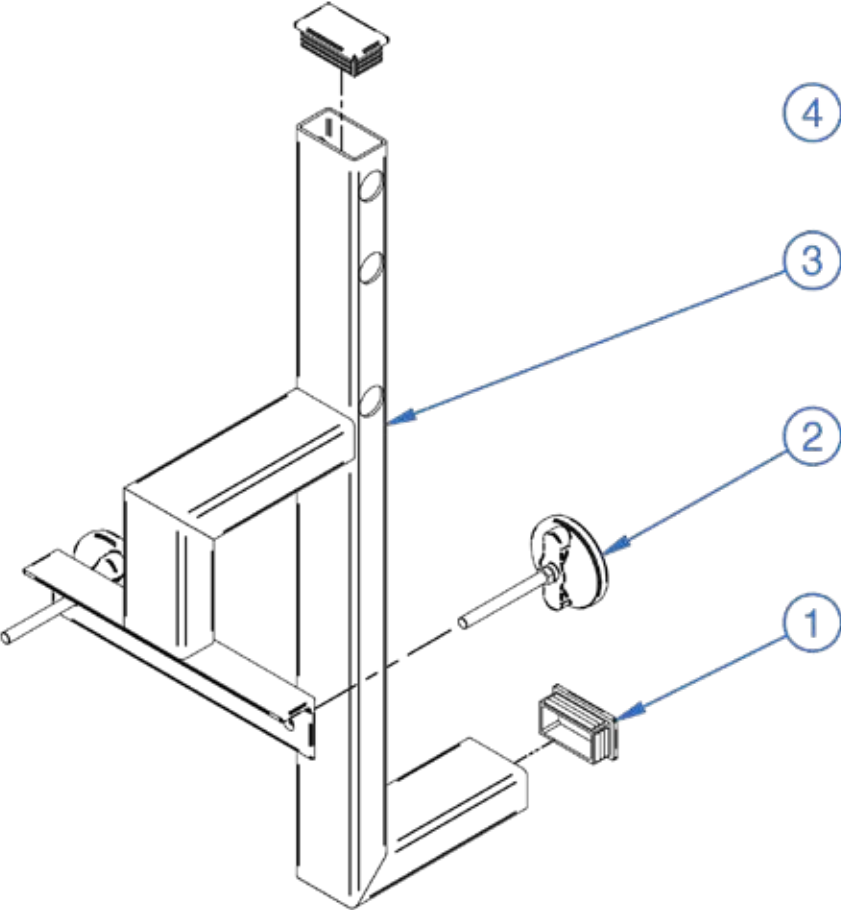


22

No.	Part Number	Part Name	Qty	Notes
1	00604-2-616	Clamping device	1	
2	BN56-M10x30	Hexagonal screw	8	
3	BN161-M10	Lock nut	8	
4	00300-2-106	Mounting plate, welded	1	

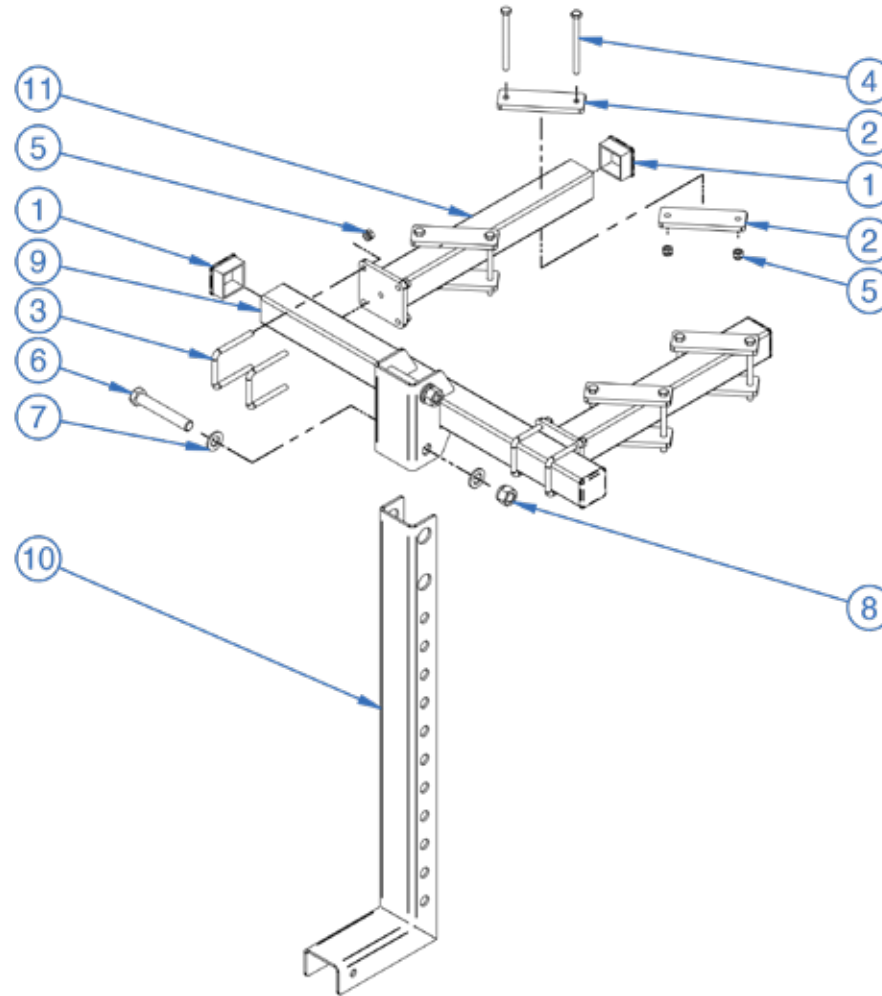
Truck bed mounting bracket

00300-1-001



No.	Part Number	Part Name	Qty	Notes
1	00603-3-690	Plastic cover 2.8"x1.6"	2	
2	00300-2-170	Base 1	2	
3	00300-2-104	Frame, welded	1	
4	00410-2-035	Extension cable ES SS, 16.4"	1	

Mounting kit quad bracket height-adjustable 00300-2-022



KS 40 M2 Classic

Document Number 00601-3-773
APVUS2019; Revision: 0.1

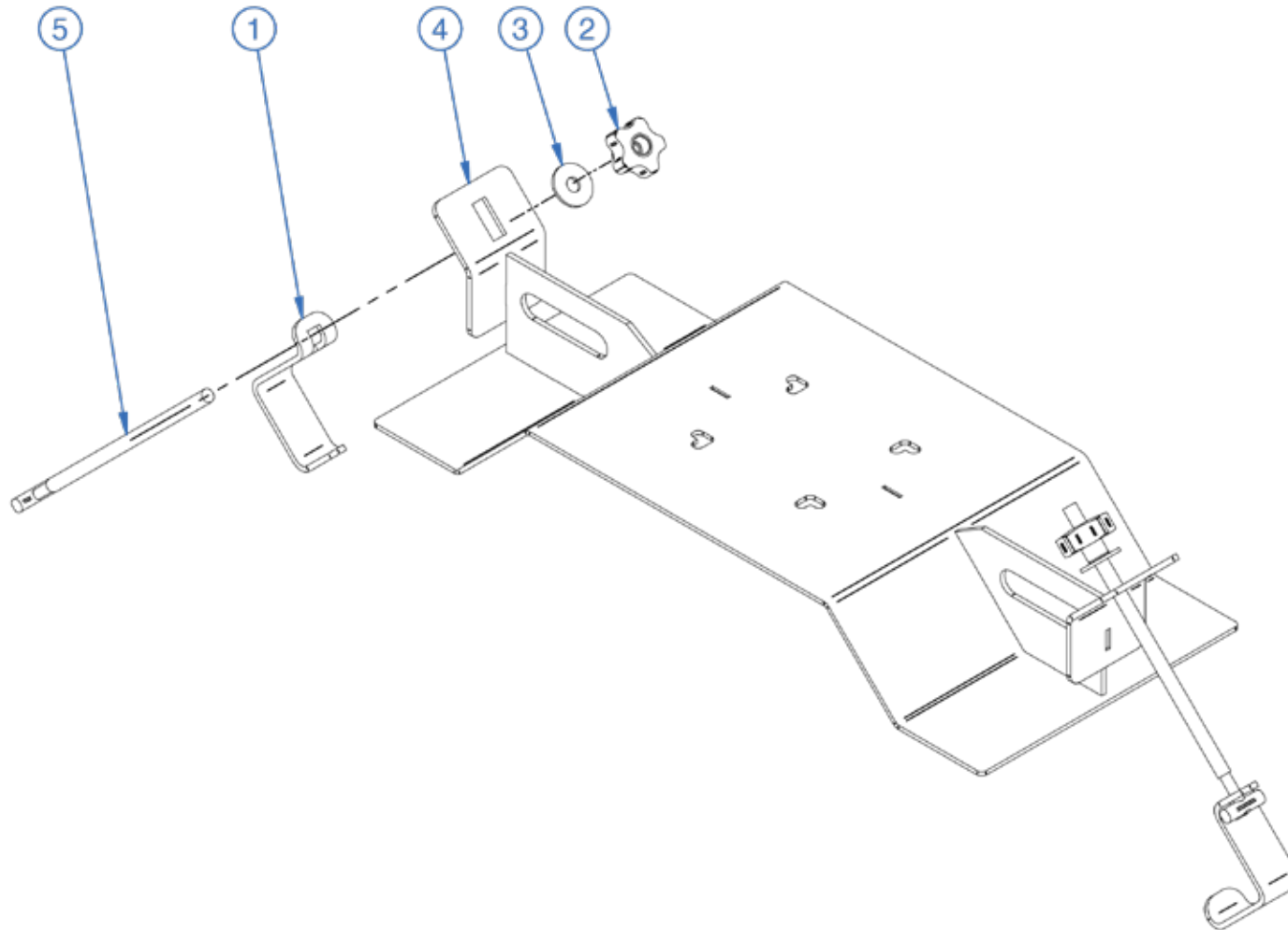


26

No.	Part Number	Part Name	Qty	Notes
1	00604-3-699	Plastic plug 50x50	4	
2	00300-3-002	Sheet metal plate 01	8	
3	00600-3-304	U-Bar 8x60x71	4	
4	BN57-M8x100	Hexagonal screw	8	
5	BN161-M8	Lock nut	16	
6	BN57-M16x100	Hexagonal bolt	2	
7	BN715-M16	Washer	4	
8	BN161-M16	Lock nut	2	
9	00300-2-037	Installation frame (red), welded	1	
10	00300-2-038	Mounting frame (red), welded	1	
11	00300-4-006	Mounting strut 02, welded	2	

Bracket (added for consistency)

00300-2-135



No.	Part Number	Part Name	Qty	Notes
1	00300-3-405	ATV plate1	2	
2	BN14132-M12	Star knob nut	2	
3	BN729-M12x37	Large-diameter washer	2	
4	00300-2-136	Quad support, welded	1	
5	00300-2-137	ATV mounting screws	2	

APV America Inc.

1776 S. Jackson St., Suite 603 • Denver, CO 80210

Phone: 800-644-9481

info@apv-america.com • www.apv-america.com

FOLLOW APV AMERICA INC. ON SOCIAL MEDIA!



www.facebook.com/APVAmerica



www.youtube.com (search "APV America")



twitter.com/APVAmerica



Information is provided without guarantee; APV America Inc. is not responsible for errors and omissions. All images are representative.