

# Operator's / Parts Manual

MK Martin Enterprise Inc.  
3950 Steffler Rd Elmira, ON, Canada N3B 2Z3

Tel: 519-664-2752  
Toll Free: 1-855-664-2752  
Fax: 519-664-3695  
E-mail: [sales@mkmartin.ca](mailto:sales@mkmartin.ca)  
[www.mkmartin.ca](http://www.mkmartin.ca)



REV: 20-4



## Table of Contents

• Warranty	-----	2
• Registration	-----	3-5
• Safety	-----	5-6
• Decal Location	-----	7
• Operation	-----	8
• Sign off Form	-----	9
• Land Plane Parts	-----	10-11
• Main Hydraulic Kit	-----	12
• Skid Steer Hydraulic Kit	-----	13
• 3-Point Hltch Hydraulic Kit	-----	14
• Bolt Torque	-----	15
• Maintenance	-----	16



3950 Steffler Rd. • Elmira • Ontario, Canada • N3B 2Z3 • Email : sales@mkmartin.ca • Fax : (519)-664-3695 • Tel : (519)-664-2752

# Warranty

Effective on products retailed on or after November 1, 2017

## Two Year Limited Consumer Warranty

## Five Year Limited Consumer Warranty on Gearboxes

## 90 Day Limited Commercial Warranty including Gearboxes

Commercial includes rental and industrial applications.

**Warranty begins at the time of customer delivery and is activated upon warranty registration receipt at MK Martin Enterprise Inc.**

**Warranty coverage is null and void unless the Warranty Registration form has been completed in full and is on file at MK Martin Enterprise Inc.**

**Keep your registration copy in a safe place, it is required as proof of warranty activation.**

This new and unused product is warranted by MK Martin Enterprise Inc. to be free from defects in material and workmanship under normal use and regular service as described in the owner's manual, for a consumer period of 2 years and 5 years for gearboxes, from the date of delivery, and commercial period of 90 days, including gearboxes, from the date of delivery. Warranty is limited to the replacement of parts and / or repair of the product.

If issues develop within the warranty period with the product, contact the local dealer from which you purchased the unit. Only MK Martin authorized dealers may make repairs to the product or affect the replacement of defective parts, unless otherwise approved by MK Martin. Repairs / replacement will be done at no charge within a reasonable time after the receipt of the product.

**This warranty does not cover the following items:**

1. Normal replacement of service items.
2. Normal maintenance or adjustments.
3. Machines or parts lost or damaged during shipment,
4. Accessory items / parts not supplied by MK Martin
5. Damages resulting from:
  - misuse, negligence, accident, theft or fire
  - use of improper or insufficient fuel, fluids or lubricants
  - use of after market parts or accessories, unless approved by MK Martin
  - modifications, alteration, tampering or improper repair
  - any device or accessories installed by other than an authorized dealer.
6. Tires are covered by the manufacturer of the tire and the warranty period specified by that manufacturer. **Please contact the tire manufacturer for warranty on these items.**

MK Martin Enterprise Inc. shall not, in any event, be liable for any losses, damages or costs; to include profits, travel, transportation, pick up, delivery, towing cost, tow vehicle, loss of use, whether special, incidental, consequential or otherwise, in any way. Unit or parts are returned at the customer's expense.

Include a copy of your completed Warranty Registration form with any claim as proof of warranty activation.

There are no warranties, expressed or implied, other than those specified herein. No agent, employee or other person has any authority to vary any of the foregoing provisions.

Warranty coverage is null and void unless the Warranty Registration form has been completed in full and is on file at MK Martin Enterprise Inc. Warranty begins at the time of customer delivery and is activated upon Warranty Registration receipt at MK Martin Enterprise Inc.

**M K Martin Enterprise Inc  
3950 Steffler Rd  
Elmira ON CA N3B 2Z3**

*Purchaser's warranty protection is valid only when this completed form or a copy of this form is on file at M K Martin Enterprise Inc. By filling out this form the purchaser has acknowledged delivery of equipment and owner's / operator's manual and has accepted the condition of the equipment.*

**Date of delivery to purchaser** -----

**Type of Equipment** -----

**Model #** ----- **Serial #** -----

**Retailer's Signature Indicates**

- *Equipment was properly assembled as directed by manufacturer*
- *Equipment was tested for functionality and operates properly*
- *Purchaser was instructed in safe and proper operating procedures*
- *Warranty was explained to purchaser*
- *Purchaser was given the operators manual*

***Retailer***

**Signature** -----

**Company** -----

**Address** -----

-----

**Purchaser's signature indicates**

- *Acceptance of equipment fully assembled*
- *Received operator's manual*
- *Clearly understands conditions of warranty*
- *Received instructions of safe and proper operation of equipment*

***Purchaser***

**Signature** -----

**Company** -----

**Mailing address** -----

**City** ----- **Prov/State** ----- **Postal Code/Zip** -----

**Available phone number** -----

**Warranty is valid only when it has been received by manufacturer at address above**

# Warranty Registration

**Please Cut and Return to M K Martin Enterprise Inc**

**Fold And Tape here**

*Do not tape all edges or use staples*

*Fold Here*

**Postage  
Stamp**

**M K Martin Enterprise Inc  
3950 Steffler Rd  
Elmira ON CA N3B 2Z3**

## Safety

**Take Note!** This safety symbol is found throughout this manual to call your attention to instructions involving yourself and others working around the machine.

- **Failure to follow these instructions can result in injury or death**



This symbol means

- **Attention!**
- **Become Alert!**
- **Your Safety is involved!**

Signal words are used in this manual.

**Caution:** Indicates a potentially hazardous situation that may result in injury.

**Warning:** Indicates a hazardous situation that could result in serious injury or death.

**Danger:** Indicates a hazardous situation that needs to be avoided. It is you the operator that needs to be aware of these dangers.

If you have any questions not answered in this manual please contact your dealer or

M K Martin Enterprise Inc  
3950 Steffler Rd  
Elmira On Ca N3B 2Z3

Tel: 519-664-2752  
1-855-664-2752  
Fax: 519-664-3695  
e-mail [sales@mkmartin.ca](mailto:sales@mkmartin.ca)

[www.mkmartin.ca](http://www.mkmartin.ca)



## Safety -- It's in your interest!

### Safety Guidelines



Safety of the operator is one of our main concerns, however it is up to you, the operator to practice caution and safety!

To avoid personal injury, study the following precautions and insist that those working with you follow them.

The MK Land Plane is a very basic piece of equipment. Clear the area of people and especially children, as your attention will be concentrated on what the Land Plane is doing, rather than the surrounding space. Try to stay aware of your surroundings at all times!

When adjusting or replacing parts, do not place yourself or other persons or any part of your body under a raised Land Plane!

**Do not place yourself or other persons or any part of your body under a raised blade!**

Replace any missing or illegible decals. Location of the decals are indicated elsewhere in this manual.

Do not use the equipment while under the influence of drugs or alcohol.

Review the safety instructions annually.

This equipment should not be operated by children, or those unfamiliar with the operation of the MK Land Plane.

**Do not allow persons to operate this equipment until they have read this manual and/or were instructed by a qualified Person.**

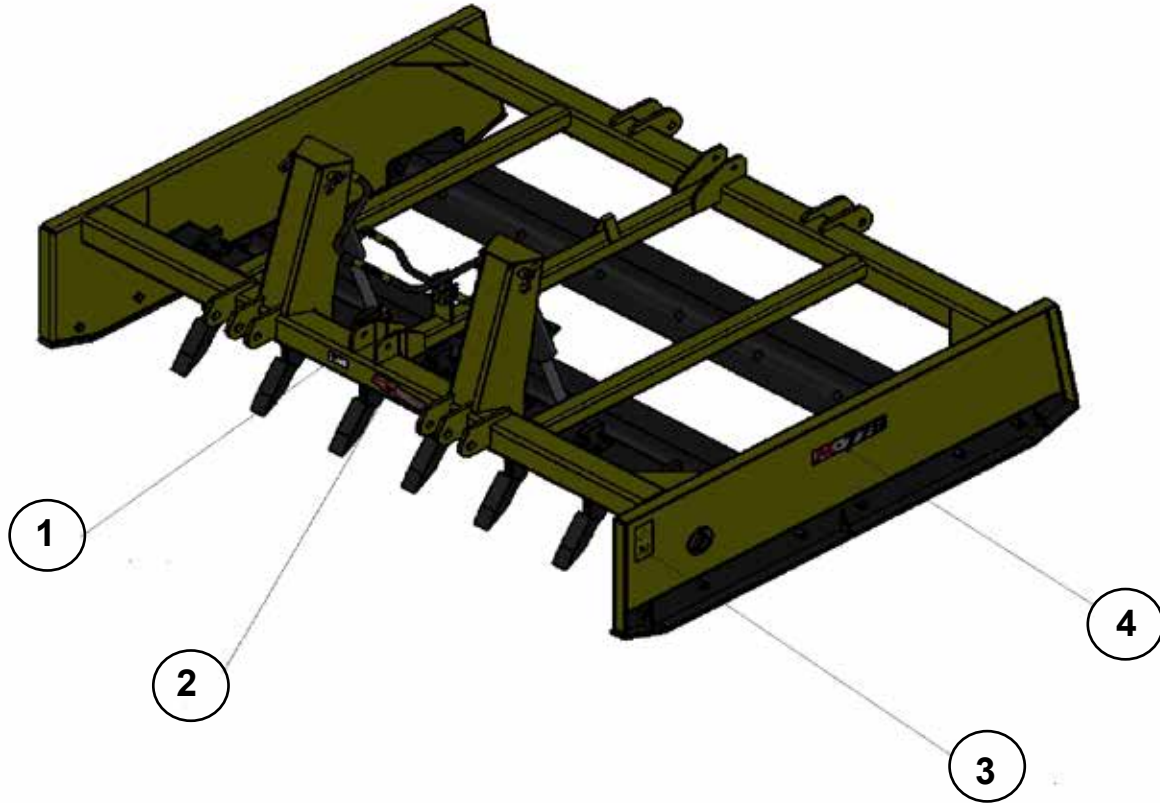


Do not paint over or deface any safety signs or warning decals on this equipment.

Please be careful with the extra weight on the back of the tractor. It may be necessary to add extra weight to the front of the tractor to keep it balanced properly.



## Decal Location



1. Serial Plate



2. MK Martin Decal



**3. Before operating machine, carefully read the instruction manual**

## Operating

### **To attach the MK Land Plane to the tractor;**

- Back the tractor to the Land Plane that is on level ground and fasten the lower hitch mount.
- Lengthen or shorten the top link until link can be pinned on the top hitch on the “A” Frame. This will ensure that the Box Scraper will be level with the ground when the Land Plane is in working position.
- To make the Land Plane more aggressive when moving forward, shorten the top link, thereby tilting the Box Scraper forward and to lower the teeth in relation to the cutting edge.
- The shanks can also be adjusted up and down for more or less ripping capability.
- The Land Plane has a cutting edge at the rear for backing into the material. Please note when using the Land Plane in reverse the angle of the tractor linkage will force the cutting edge down and can create high stresses to the Land Plane frame. Use caution.

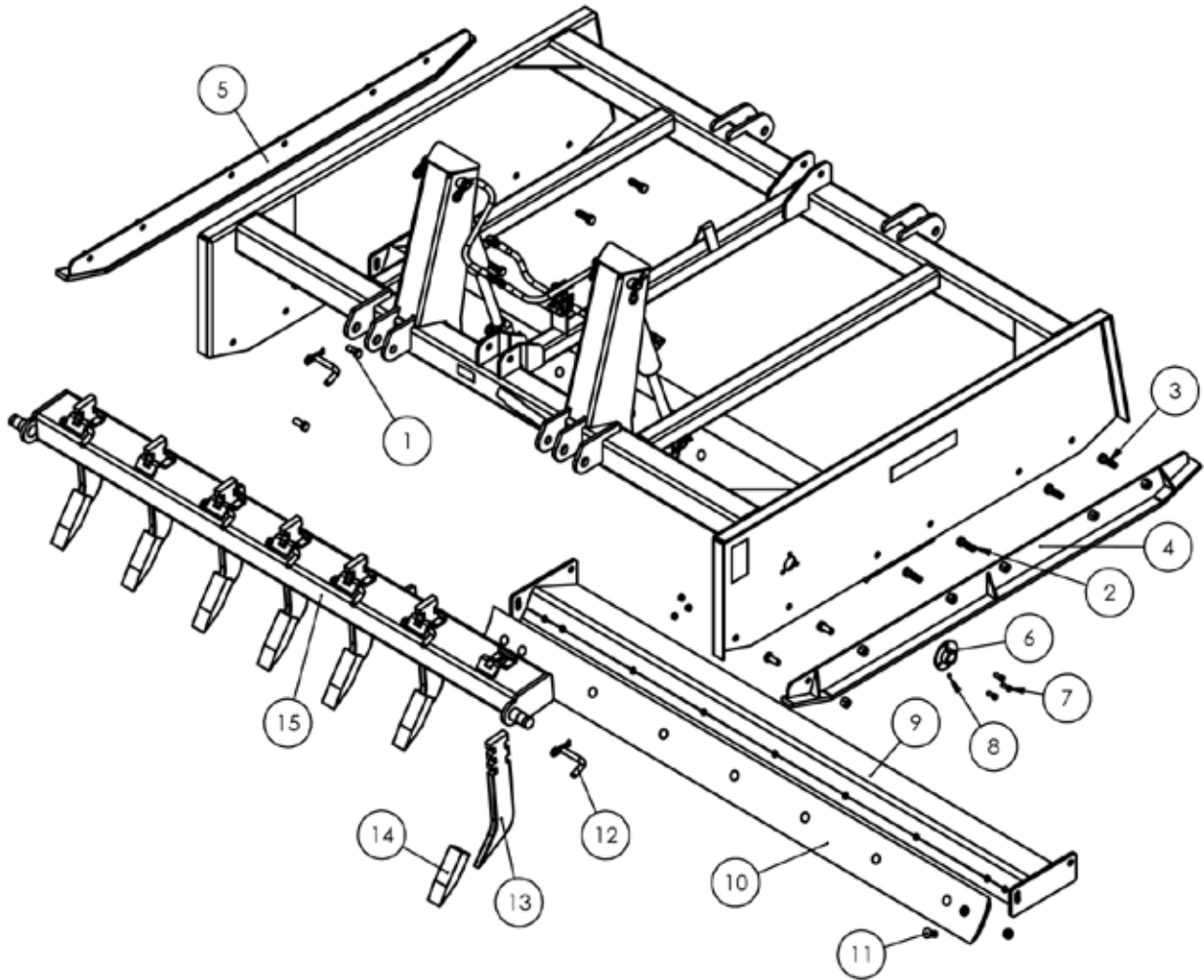
**This MK Land Plane is not designed for excavating!** Be careful when backing up as you can now push the Land Plane into the load causing some of the tractor weight to transfer to the Land Plane and may buckle it.

## Sign Off Form

M K Martin Enterprise Inc. follows the general Safety Standards specified by the American Society of Agricultural Engineers (ASAE) and the Occupational Health and Safety Administration (OSHA). Anyone who will be operating and/or maintaining the equipment must read and clearly understand ALL Safety Operating and Maintenance instructions presented in this manual. Do not operate or allow anyone else to operate this equipment until such information has been reviewed. Annually review this information before the season start-up. Make these reviews of SAFETY and OPERATION annually as a standard practice for all your equipment. We feel that an untrained operator is unqualified to operate this machine. A sign-off sheet is provided for your record keeping to show that all personnel who will be working with the equipment have read and understood the information in the operator’s manual and have been instructed in the operation of the equipment.

Date	Employees Signature	Employers Signature

## MK Land Plane Parts



Item #	Part #	Description	6ft Qty	7ft Qty	8ft Qty
1	OL	Bolt 5/8 x 1 1/2 c/w In	4	4	4
2	OL	Bolt 5/8 x 2 clw In	4	4	4
3	OL	Bolt 5/8 x 2 c/w nlw, In	4	4	4
4	60333	Skid Shoe Left	1	1	1
5	60336	Skid Shoe Right	1	1	1
6	60361	Bushing Mount	2	2	2
7	OL	Bolt 3/8 x 1 clw In	6	6	6
8	OL	1/4 - 28 Grease Fitting	2	2	2
9	32872	6ft Lower Cross Member	2		
	32800	7ft Lower Cross Member		2	
	32876	8ft Lower Cross Member			2
10	53089	1/2 x 6 x 72 Cutting Edge	2		
	53092	1/2 x 6 x 84 Cutting Edge		2	
	53918	1/2 x 6 x 96 Cutting Edge			2
11	OL	Plow Bolt 5/8 x 1 3/4 c/w In	8	9	10

## MK Land Plane Parts

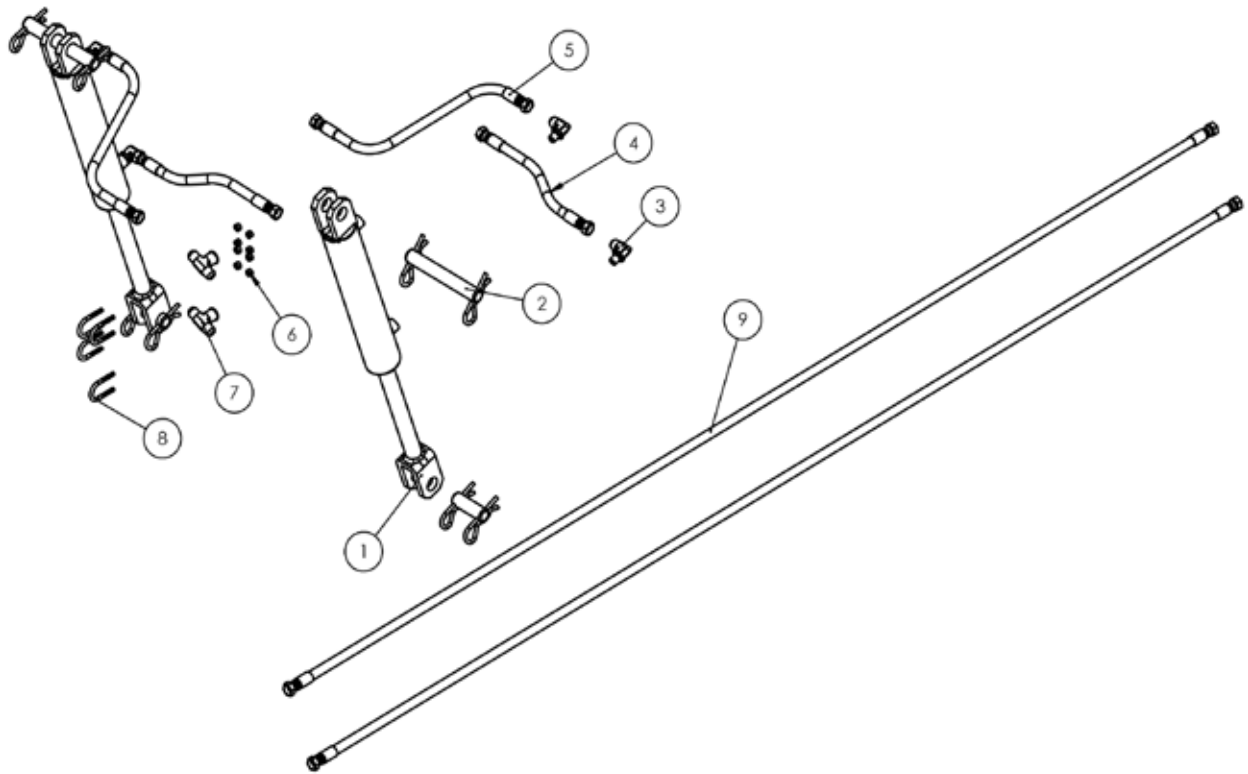
Item #	Part #	Description	6ft Qty	7ft Qty	8ft Qty
12	wal385002	5/8 x 3 Bent Hitch Pin w/ Hair Pin	6	7	8
13	VBL3SH	Scarifier Shank	6	7	8
14	VBL3	Scarifier Replacable Point	6	7	8
15	60609	6ft Scarifier Bar	1		
	60528	7ft Scarifier Bar		1	
	60571	8ft Scarifier Bar			1

**Note:**

**OL = Obtain Locally**  
**c/w = complete with**  
**fw = Flatwasher**

**lw = Lockwasher**  
**ln = Locknut**  
**n = Nut**

## Land Plane Main Hydraulic Kit



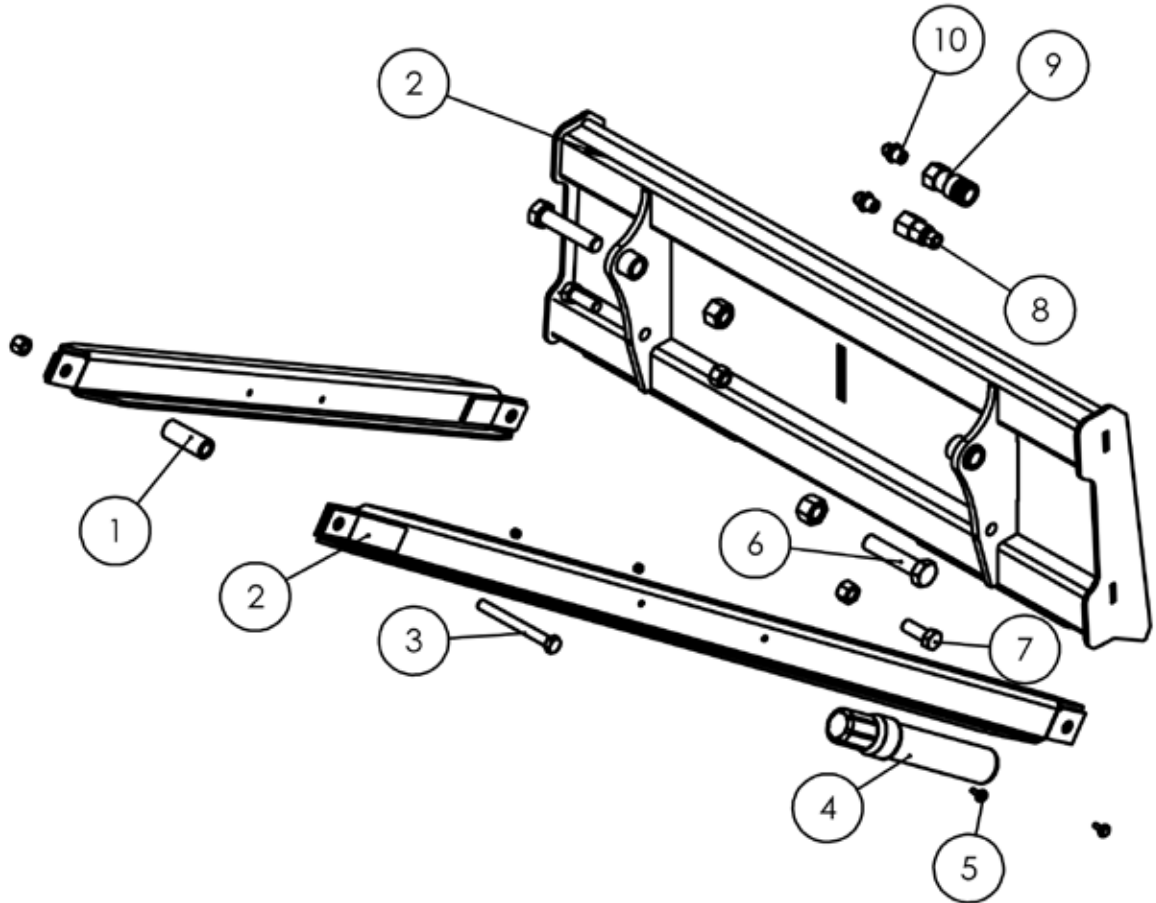
Item #	Part #	Description	Qty
1	cyIHYS20FEM10-10	2 x 10 Welded Cylinder c/w Flange Pins	2
2	60375	1 x 7 3/8 Cylinder Pin c/w Hair Pin	2
3	6801-0806	1/2 MJIC x 3/8 MORB 90 Degree	4
4	60386	3/8" Hose 17" Long	2
5	60382	3/8" Hose 11" Long	2
6	OL	1/4-20 Nut	8
7	2603-0808	3/4-16 Male JIC T-Joint	2
8	OL	U-Bolt 1/4-20 x 1/2" Pipe Size	4
9	60385	3/8" Hose 97" Long	2

**Note:**

OL = Obtain Locally  
 c/w = complete with  
 fw = Flatwasher

lw = Lockwasher  
 ln = Locknut  
 n = Nut

## Land Plane Skid Steer Hydraulic Kit



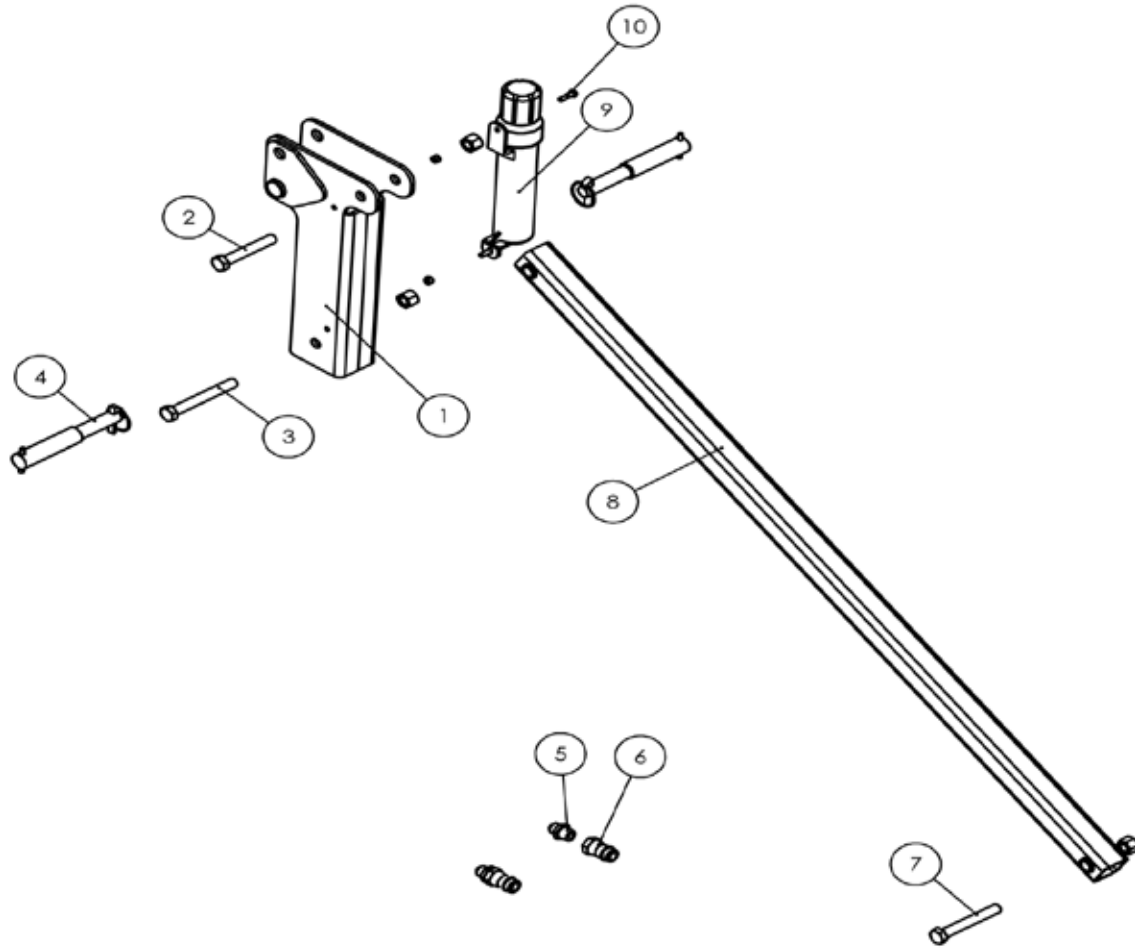
Item #	Part #	Description	Qty
1	50510	Skid Steer Brace Spacer	1
2	60459	Skid Steer Brace	2
3	OL	Bolt 5/8 x 6 c/w In	1
4	DJA7011	Manual Tube	1
5	OL	Bolt 1/4 x 1 c/w fw, In	2
6	OL	Bolt 1 x 4 1/2 c/w In	2
7	OL	Bolt 3/4 x 2 c/w In	2
8	20456	Skid Steer Flat Face Male Coupler 1/2" Body 1/2" Thread	1
9	800801008	Skid Steer Flat Face Female Coupler 3/4" Body 3/4" Thread	1
10	2404-0808	1/2" MJIC to 1/2" Male Pipe Adaptor	2

**Note:**

**OL = Obtain Locally**  
**c/w = complete with**  
**fw = Flatwasher**

**lw = Lockwasher**  
**In = Locknut**  
**n = Nut**

## Land Plane 3-Point Hitch Hydraulic Kit



Item #	Part #	Description	Qty
1	50723	Top Point Mast	1
2	OL	Bolt 5/8 x 4 c/w In	1
3	OL	Bolt 5/8 x 5 c/w In	1
4	S71-4	Lift Pin c/w Lynch Pin, Spring Pin	2
5	2404-0808	1/2" MJIC to 1/2" Male Pipe Adaptor	2
6		Agri-ball Nipple 1/2" npt	2
7	OL	Bolt 5/8 x 4 c/w In	1
8	60373	Top Link Brace	1
9	DJA7011	manual Tube	1
10	OL	Bolt 1/4 x 1 c/w fw, In	2

**Note:**  
**OL = Obtain Locally**  
**c/w = complete with**  
**fw = Flatwasher**

**lw = Lockwasher**  
**In = Locknut**  
**n = Nut**



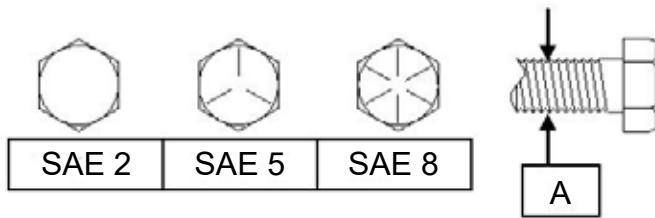
## Bolt Torque

As used on this machine

- Bolt torque table shown below gives torque values for various bolts used.
- This chart is for non-lubricated threads.
- Replace with same strength bolt.

Torque Specifications. Torque values are identified by their head markings.

Diameter	SAE 2		SAE 5		SAE 8	
	<i>ft-lb</i>	<i>N.m</i>	<i>ft-lb</i>	<i>N.m</i>	<i>ft-lb</i>	<i>N.m</i>
<b>"A"</b>						
<b>1/4</b>	6	(8)	8	(11)	12	(16)
<b>5/16</b>	11	(15)	17	(24)	25	(33)
<b>3/8</b>	20	(27)	31	(42)	44	(59)
<b>7/16</b>	32	(43)	49	(67)	70	(95)
<b>1/2</b>	49	(66)	76	(105)	105	(145)
<b>5/8</b>	97	(130)	150	(205)	210	(285)
<b>3/4</b>	144	(195)	265	(360)	375	(510)
<b>7/8</b>	165	(225)	430	(585)	605	(820)
<b>1</b>	250	(340)	645	(875)	910	(1230)
<b>1 1/8</b>	355	(480)	795	(1080)	1290	(1750)
<b>1 1/4</b>	500	(680)	1120	(1520)	1820	(2460)
<b>1 1/2</b>	870	(1180)	1950	(2640)	3160	(4290)



Allen head cap screw are similar to SAE 8 quality

These torques are for reference only. Not all these sizes and grades are necessarily used in this machine. Bolts that are used as a pivot or hinge have to be used with a locknut, therefore only tighten enough to secure the bolt and still allowing the part to rotate freely.

## Maintenance

- After 1st 5 hours check all nuts and bolts and retighten if required.
- At 10 hours check all nuts and bolts and re-tighten if required. Repeat at 5 hour intervals until all bolts have seated and stay tight.

### Storage of MK Land Plane

- Store MK Land Plane in a firm, dry area, and set on blocks if the area is not firm enough to support the equipment without sinking in.
- Clean off all caked dirt and mud.
- When storing for a long period rusting may be a problem, applying oil to cutting edges and shanks may prevent rusting, wipe all excess oil off with a dry rag.

The Cutting Edges are reversible and after it shows considerable wear they can be reversed.

1. Loosen all the Plow bolts
2. Remove all bolts except the bolts at each end
3. Tilt the MK Land Plane on its back and remove the remaining bolts.

**Note! Cutting Edge is heavy! Handle with care and use heavy gloves!**





MK Martin Enterprise Inc.  
3950 Steffler Rd Elmira, ON, Canada N3B 2Z3

Tel: 519-664-2752  
Toll Free: 1-855-664-2752  
Fax: 519-664-3695  
E-mail: [sales@mkmartin.ca](mailto:sales@mkmartin.ca)  
[www.mkmartin.ca](http://www.mkmartin.ca)