



# TRACK CURRY

## Parts and Service Manual



Manufactured By



Elmira Ontario Canada  
3950 Steffler Rd  
Elmira Ontario Canada N3B 2Z3  
Tel: 519-664-2752 Fax: 519-664-3695  
e-mail: sales@mkmartin.ca

Introducing the Track Curry

Thank you, for purchasing the Track Curry to compliment your operation. It is designed for loosening the packed dirt in your arena and level it for a more even surface.

Safe, efficient and trouble free operation of your Track Curry requires that you and everyone else that will be operating and or maintaining the machine has read and understands the Operation and safe use of the equipment.

This manual covers the Track Curry.

*Warranty and Limitation Of Liability*

All equipment is sold subject to mutual agreement that it is warranted by M K Martin Enterprise Inc. (hereafter called the company) to be free of any defects of material and workmanship. But the company shall not be liable for special, indirect or consequential, damages of any kind under this contract or otherwise. The company's liability shall be limited exclusively to replacing or repairing without charge, at it's factory or elsewhere, at it's discretion . Any material, or workmanship defects, which becomes apparent within one year from the date of purchase. The company will have no liability for damages of any kind. The buyer by the acceptance of the equipment will assume all liability for any damages, which may result from the use of misuse by his employees or others.

Warranty coverage is null and void unless the Warranty Registration form has been completely filled in and is on file at

M K Martin Inc  
3950 Steffler Road  
Elmira Ont. Ca.  
N3B 2Z3

For your record

**Purchase Date** Y20\_\_ M\_\_

**Model #** \_\_\_\_\_

**Serial #** \_\_\_\_\_

Please cut at dotted line and return this registration form to the company via Mail Fax (519-664-3695) e-mail sales@mkmatin.ca

M K Martin Inc  
3950 Steffler Road  
Elmira Ont. Ca.  
N3B 2Z3

Track Curry

**Buyers**

**Purchase Date** Y20\_\_ M\_\_

Name \_\_\_\_\_

**Model #** \_\_\_\_\_

Address \_\_\_\_\_

**Serial #** \_\_\_\_\_

Postal Code \_\_\_\_\_

## Safety

**You** are responsible for the safe operation and maintenance of your Track-Curry. **You** must ensure that you and anyone else who is operating the Track-Curry is familiar with it.



**Warning:** Keep hands and feet away from the Track-Curry at all times. Keep bystanders at a safe distance.



**Warning:** Do Not operate the Track-Curry in places with that have rocks and stumps, or areas with steep slopes that may upset the tractor.



**Warning:** Do not operate at high speed.



**Warning:** Do Not attempt to repair or adjust the equipment while the three-point hitch is holding the Track-Curry up. (Place a block under the equipment to hold it up.)



**Warning:** Do not allow anyone to ride on the tractor or the Track-Curry!

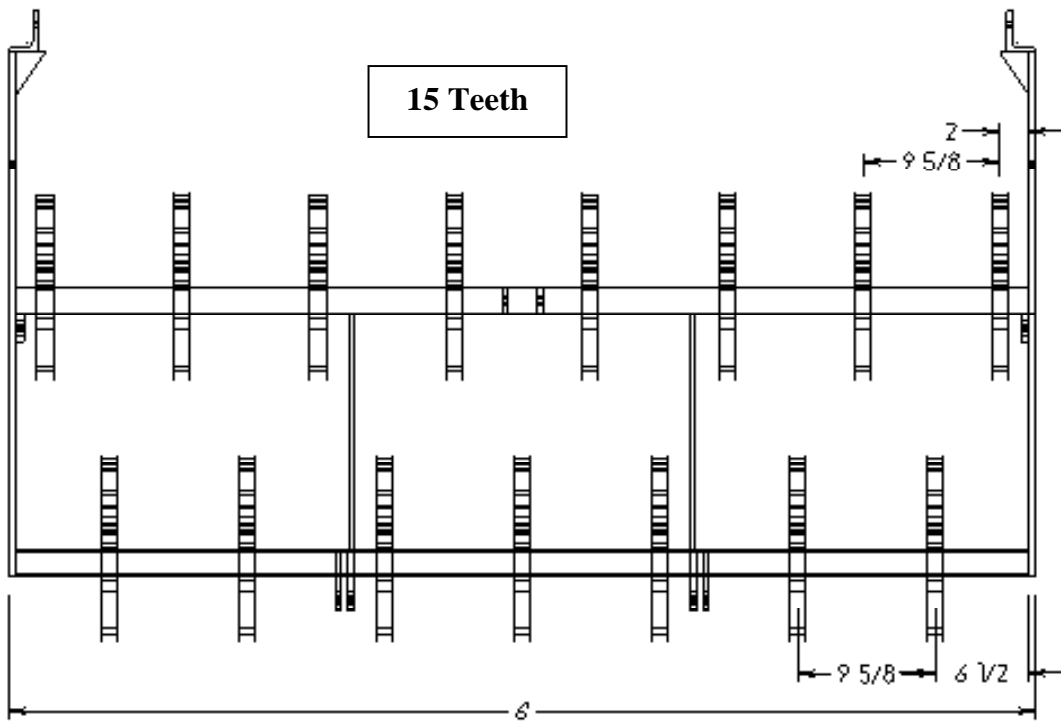
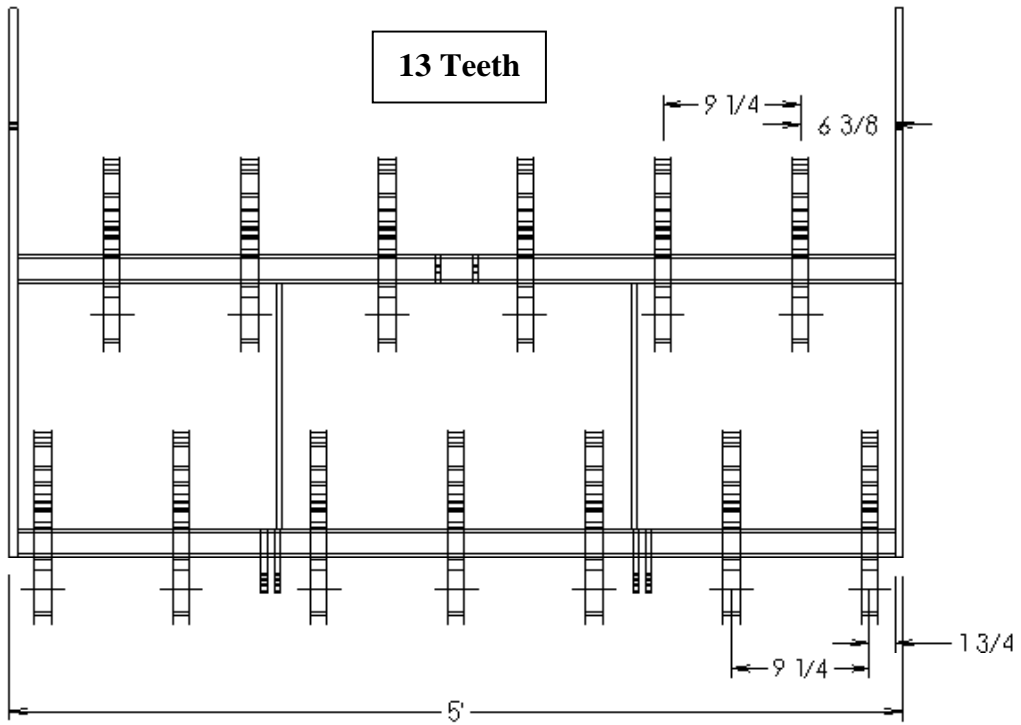
## Track-Curry

This unit is usually shipped with the cultivator teeth removed.

1. Bolt the large “A” frame brace to the frame and the small brace to the top of the “A” frame using ½” bolts and nylon locknuts.
2. Use one 5/8” bolt to couple brace pieces together and allowing 5” of movement that allows the machine to float.
3. By using a 5/8” bolt at each end of the slot, the brace length can be fixed.
4. Install teeth and space them as shown on the following pages according to the width of your Track-Curry
5. Adjust the leveler blade and the rear drum height to suit your needs.

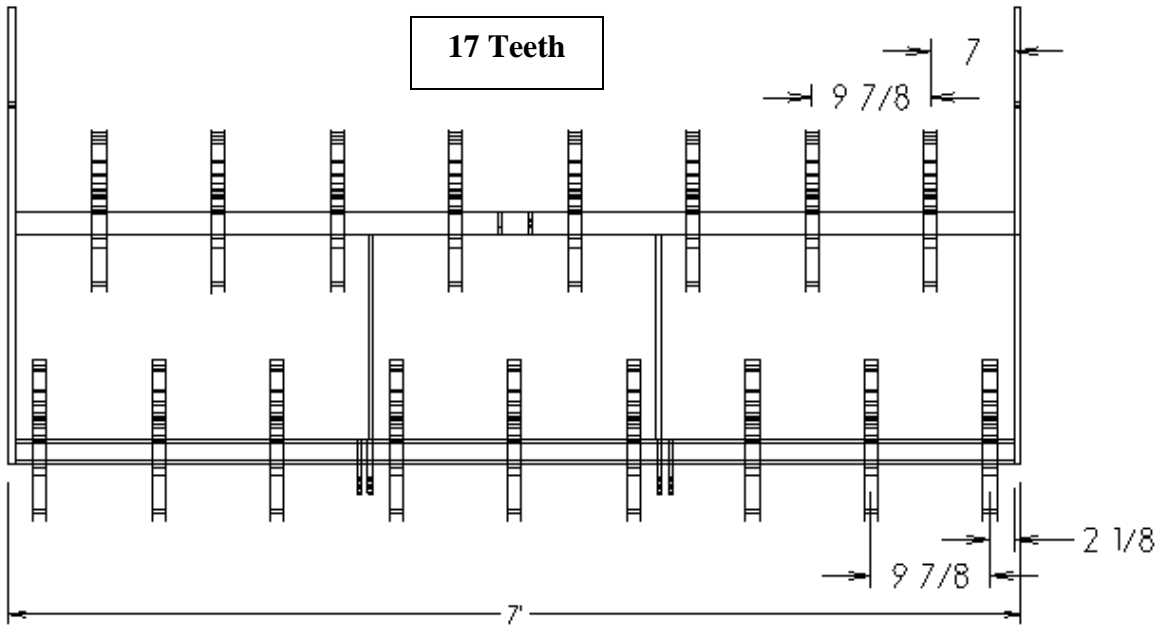
The Track-Curry is designed to handle Cat#1 3PH ASAE Quick Coupler  
Cat #1 3PH Free Link and JD “I” Match

**Trac Curry**  
5' 6" teeth spacing

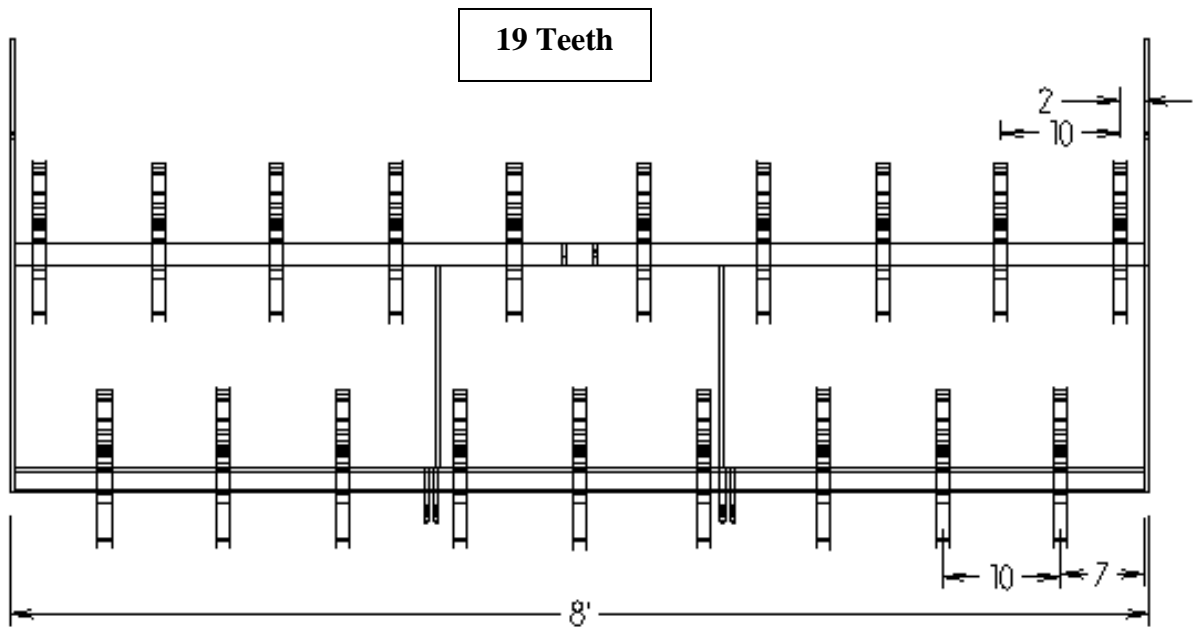


# Track Curry

7' 8" teeth spacing



1'



## **Operation**

The Track-Curry is designed to renovate and condition horse arenas and tracks in a single pass. Two rows of heavy duty S-tine shanks loosen and cultivate, an adjustable bar levels the soil and a 12" diameter roller gauges the depth and packs the soil. Resulting in a firm yet giving surface for secure footing.

### **Four Models**

5' Track-Curry w. 13 shanks (18-32) hp

6' Track-Curry w. 15 shanks (22-39) hp

7' Track-Curry w. 17 shanks (24-47) hp

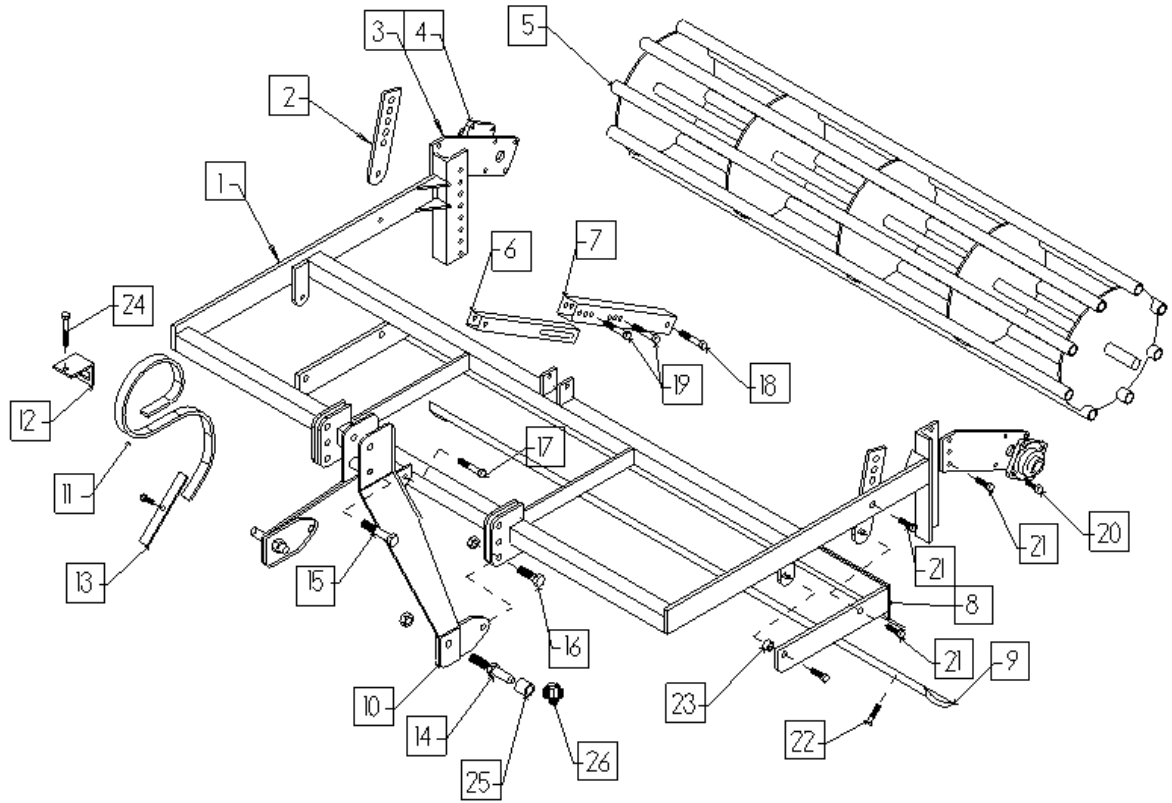
8' Track-Curry w. 19 shanks (30-53) hp

The Track-Curry is designed to handle Cat#1 3PH ASAE Quick Coupler, 3PH Free Link and JD "I" Match

Shank size: 1 1/4 x 1/2 x 22 c/w reversible points.

Leveling bar 1/2 x 6" double-beveled

### Track-Curry



### Track-Curry

Item #	Description	Part #	5'	6'	7'	8'	Req
1	Main Frame	783-100-501	X				1
1	Main Frame	783-100-601		X			1
1	Main Frame	783-100-701			X		1
1	Main Frame	783-100-801				X	1
2	Leveler Adjuster Bar	783-100-101					2
3	Bearing Mount	783-100-102					2
4	Bearing	783-100-103					2
5	Gauge Drum	783-100-502	X				1
5	Gauge Drum	783-100-602		X			1
5	Gauge Drum	783-100-702			X		1
5	Gauge Drum	783-100-802				X	1
6	Upper "A" Frame Brace	783-100-104					1



Item #	Description	Part #	5'	6'	7'	8'	Req
7	Lower "A" Frame Brace	783-100-105					1
8	Leveler Frame	783-100-503	X				1
8	Leveler Frame	783-100-603		X			1
8	Leveler Frame	783-100-703			X		1
8	Leveler Frame	783-100-803				X	1
9	Leveler Wear Bar	783-100-504	X				1
9	Leveler Wear Bar	783-100-604		X			1
9	Leveler Wear Bar	783-100-704			X		1
9	Leveler Wear Bar	783-100-804				X	1
10	Cat#1 "A" Frame	783-100-106					1
11	"S" Tine	783-100-107	X				13
11	"S" Tine	783-100-107		X			15
11	"S" Tine	783-100-107			X		17
11	"S" Tine	783-100-107				X	19
12	Tine Clamp	783-100-108	X				13
12	Tine Clamp	783-100-108		X			15
12	Tine Clamp	783-100-108			X		17
12	Tine Clamp	783-100-108				X	19
13	Cultivator Point	783-100-109	X				13
13	Cultivator Point	783-100-109		X			15
13	Cultivator Point	783-100-109			X		17
13	Cultivator Point	783-100-109				X	19
14	Cat #1 3ph Lower Pin	783-100-110					2
15	Bolt 3/4 x 4 c/w Locknut	OL*					1
16	Bolt 3/4 x 2 1/2 Bolt c/w Locknut	OL*					2
17	Bolt 1/2 x 3 c/w Locknut	OL*					1
18	Bolt 1/2 x 4 c/w Locknut	OL*					1
19	Bolt 1/2 x 2 c/w Locknut	OL*					2
20	7/16 x 1 1/2 c/w Nut Lockwasher	OL*					8
21	1/2 x 2 Bolt c/w Locknut	OL*					10
22	5/8 x 2 Bolt c/w Locknut	OL*	X				7
22	5/8 x 2 Bolt c/w Locknut	OL*		X			8
22	5/8 x 2 Bolt c/w Locknut	OL*			X		9
22	5/8 x 2 Bolt c/w Locknut	OL*				X	10
23	Spacer	783-100-120					2
24	7/16x4 Bolt c/w Locknut	OL*	X				13
24	7/16x4 Bolt c/w Locknut	OL*		X			15
24	7/16x4 Bolt c/w Locknut	OL*			X		17
24	7/16x4 Bolt c/w Locknut	OL*				X	19
25	Lower Quick Hitch Bushing	782-100-122					2
26	Lynch Pin	782-100-123					2

\* Obtain Locally

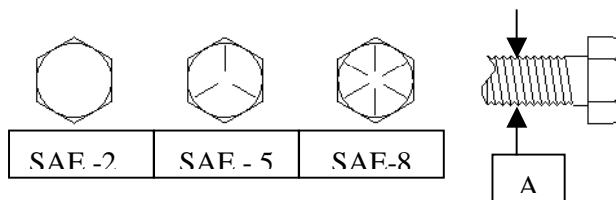
**Bolt Torque**  
As used on this equipment \*

Bolt torque table shown below gives torque values for the various bolts used. This chart is for non-lubricated threads. Replace with the same strength bolt.

Torque Specifications. Torque values are identified by their head markings

Diameter	SAE 2		SAE 5		SAE 8	
"A"	Lb-ft	N.m	Lb-ft	N.m	Lb-ft	N.m
1/4	6	(8)	9	(12)	12	(17)
5/16	10	(13)	19	(25)	27	(36)
3/8	20	(27)	33	(45)	45	(63)
7/16	30	(41)	53	(72)	75	(100)
1/2	45	(61)	80	(110)	115	(155)
5/8	95	(128)	160	(215)	220	(305)
3/4	165	(225)	290	(390)	400	(540)
1	225	(345)	630	(850)	970	(1320)

Allen head cap screws are similar to SAE 8 quality.



\* These torques are for a reference only. Not all these sizes and grades are necessarily used in this machine. Bolts that are used as a pivot or hinge have to be used with a locknut, therefore only tighten enough to secure the bolt and still allowing the part to rotate freely.