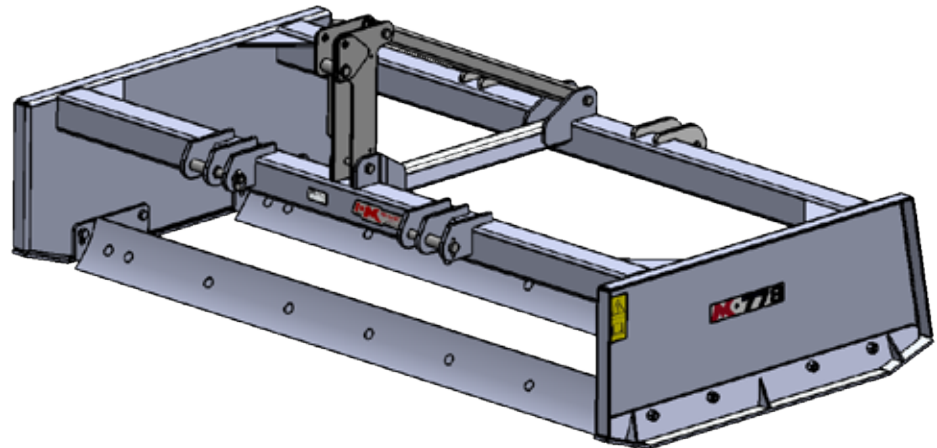
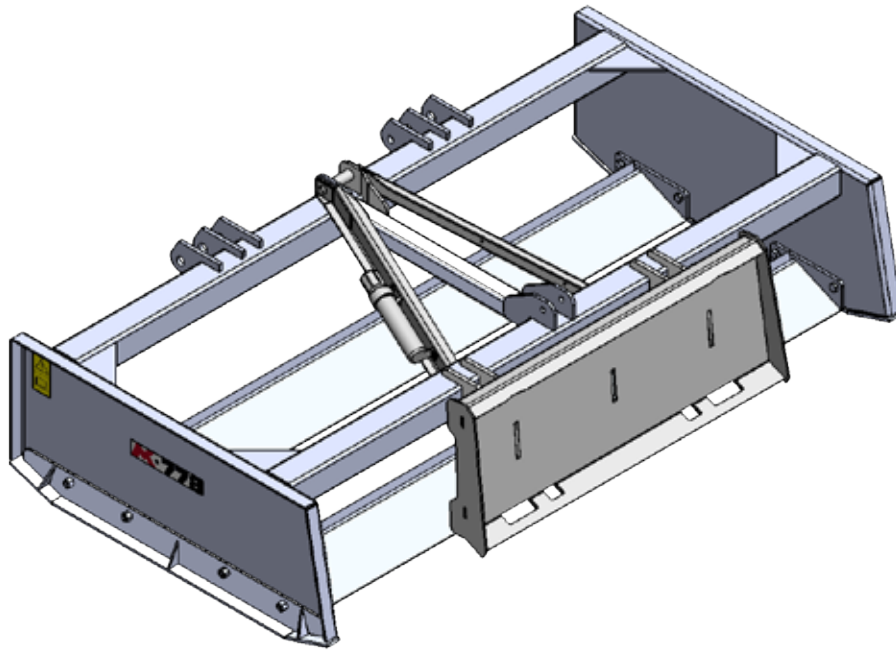




Series Grader Leveler

MK578; MK678; MK778; MK878

Operator's / Parts Manual



MK Martin Enterprise Inc.
3950 Steffler Rd Elmira, ON, Canada N3B 2Z3

Tel: 519-664-2752
Toll Free: 1-855-664-2752
Fax: 519-664-3695
E-mail: sales@mkmartin.ca
www.mkmartin.ca



Rev:18-1

Table of Contents

• Warranty	-----	2
• Registration	-----	3
• Safety	-----	5-6
• Decal Location	-----	7
• Operation	-----	8
• Maintenance	-----	9
• Parts	-----	10-11
• Bolt Torque	-----	12



3950 Steffler Rd. • Elmira • Ontario, Canada • N3B 2Z3 • Email : sales@mkmartin.ca • Fax : (519)-664-3695 • Tel : (519)-664-2752

Warranty

Effective on products retailed on or after November 1, 2017

Two Year Limited Consumer Warranty

Five Year Limited Consumer Warranty on Gearboxes

90 Day Limited Commercial Warranty including Gearboxes

Commercial includes rental and industrial applications.

Warranty begins at the time of customer delivery and is activated upon warranty registration receipt at MK Martin Enterprise Inc.

Warranty coverage is null and void unless the Warranty Registration form has been completed in full and is on file at MK Martin Enterprise Inc.

Keep your registration copy in a safe place, it is required as proof of warranty activation.

This new and unused product is warranted by MK Martin Enterprise Inc. to be free from defects in material and workmanship under normal use and regular service as described in the owner's manual, for a consumer period of 2 years and 5 years for gearboxes, from the date of delivery, and commercial period of 90 days, including gearboxes, from the date of delivery. Warranty is limited to the replacement of parts and / or repair of the product.

If issues develop within the warranty period with the product, contact the local dealer from which you purchased the unit. Only MK Martin authorized dealers may make repairs to the product or affect the replacement of defective parts, unless otherwise approved by MK Martin. Repairs / replacement will be done at no charge within a reasonable time after the receipt of the product.

This warranty does not cover the following items:

1. Normal replacement of service items.
2. Normal maintenance or adjustments.
3. Machines or parts lost or damaged during shipment,
4. Accessory items / parts not supplied by MK Martin
5. Damages resulting from:
 - misuse, negligence, accident, theft or fire
 - use of improper or insufficient fuel, fluids or lubricants
 - use of after market parts or accessories, unless approved by MK Martin
 - modifications, alteration, tampering or improper repair
 - any device or accessories installed other than by an authorized dealer.
6. Tires are covered by the manufacturer of the tire and the warranty period specified by that manufacturer. **Please contact the tire manufacturer for warranty on these items.**

MK Martin Enterprise Inc. shall not, in any event, be liable for any losses, damages or costs; to include profits, travel, transportation, pick up, delivery, towing cost, tow vehicle, loss of use, whether special, incidental, consequential or otherwise, in any way. Unit or parts are returned at the customer's expense.

Include a copy of your completed Warranty Registration form with any claim as proof of warranty activation.

There are no warranties, expressed or implied, other than those specified herein. No agent, employee or other person has any authority to vary any of the foregoing provisions.

Warranty coverage is null and void unless the Warranty Registration form has been completed in full and is on file at MK Martin Enterprise Inc. Warranty begins at the time of customer delivery and is activated upon Warranty Registration receipt at MK Martin Enterprise Inc.

M K Martin Enterprise Inc
3950 Steffler Rd
Elmira ON CA N3B 2Z3

Purchaser's warranty protection is valid only when this completed form or a copy of this form is on file at M K Martin Enterprise Inc. By filling out this form the purchaser has acknowledged delivery of equipment and owner's / operator's manual and has accepted the condition of the equipment.

Date of delivery to purchaser -----

Type of Equipment -----

Model # ----- **Serial #** -----

Retailer's Signature Indicates

- *Equipment was properly assembled as directed by manufacturer*
- *Equipment was tested for functionality and operates properly*
- *Purchaser was instructed in safe and proper operating procedures*
- *Warranty was explained to purchaser*
- *Purchaser was given the operators manual*

Retailer

Signature -----

Company -----

Address -----

Purchaser's signature indicates

- *Acceptance of equipment fully assembled*
- *Received operator's manual*
- *Clearly understands conditions of warranty*
- *Received instructions of safe and proper operation of equipment*

Purchaser

Signature -----

Company -----

Mailing address -----

City ----- **Prov/State** ----- **Postal Code/Zip** -----

Available phone number -----

Warranty is valid only when it has been received by manufacturer at address above

Warranty Registration

Please Cut and Return to M K Martin Enterprise Inc

Fold And Tape here

Do not tape all edges or use staples

Fold Here

**Postage
Stamp**

**M K Martin Enterprise Inc
3950 Steffler Rd
Elmira ON CA N3B 2Z3**

Safety

Take Note! This safety symbol is found throughout this manual to call your attention to instructions involving yourself and others working around the machine.

- **Failure to follow these instructions can result in injury or death**



This symbol means

- **Attention!**
- **Become Alert!**
- **Your Safety is involved!**

Signal words are used in this manual.

Caution: Indicates a potentially hazardous situation that may result in injury.

Warning: Indicates a hazardous situation that could result in serious injury or death.

Danger: Indicates a hazardous situation that needs to be avoided. It is you the operator that needs to be aware of these dangers.

If you have any questions not answered in this manual please contact your dealer or

M K Martin Enterprise Inc
3950 Steffler Rd
Elmira On Ca N3B 2Z3

Tel: 519-664-2752
1-855-664-2752
Fax: 519-664-3695
e-mail sales@mkmartin.ca

www.mkmartin.ca



Safety -- It,s in your interest!

Safety Guidelines.



Safety of the operator is one of our main concerns, however it is up to you the operator to practice caution.

To avoid personal injury, study the following precautions and insist that those working with you follow them. The Grader Leveler is a very basic piece of equipment. Clear the area of people and especially children, as your attention is concentrated on what the blade is doing rather than the surrounding space.

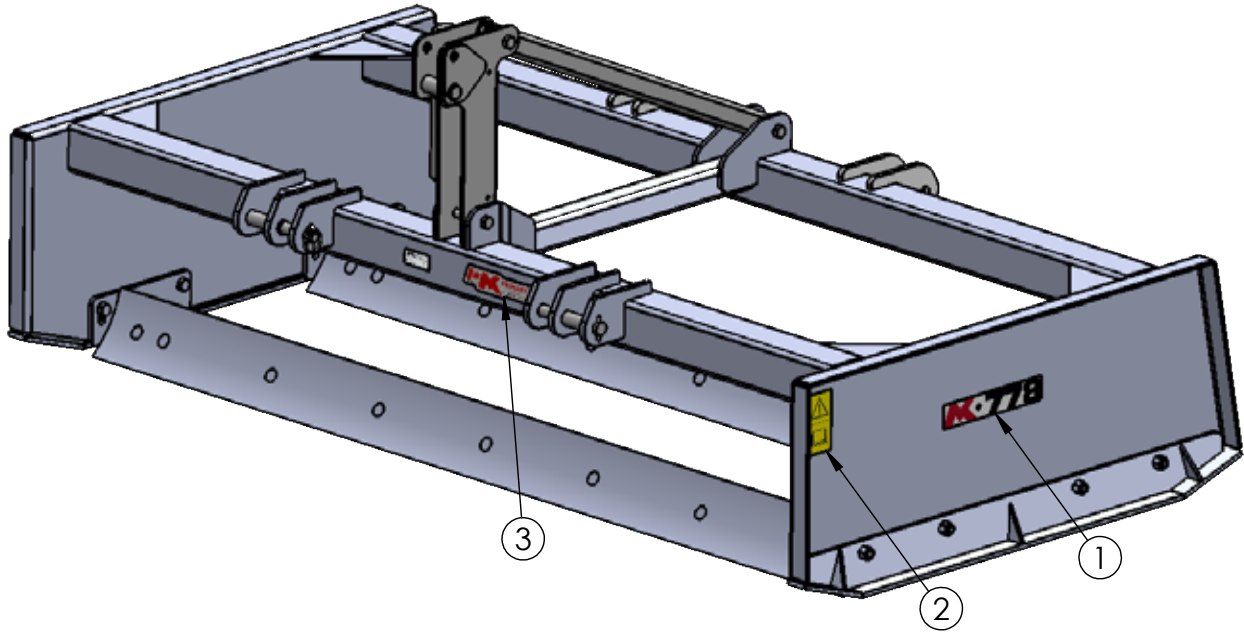
Try to stay aware of your surroundings. When adjusting or replacing parts, do not place yourself or other persons or any part of your body under a raised blade.

Do not use this machine while under the influence of drugs or alcohol. Review the safety instructions annually. This equipment should not be operated by children: or those unfamiliar with the operation of the Grader Leveler. Do not allow persons to operate this machine until they have read this manual and/or were instructed by a qualified person.



Please be careful with the extra weight on the back of the tractor. It may be necessary to add extra weights to the front of the tractor to keep it balanced properly.

Decal Location



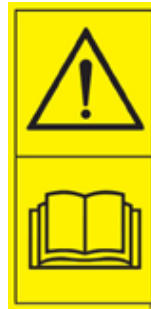
Part #1 Series decal x2

MK·578

MK·678

MK·778

MK·878



Part #2

Before operating machine, carefully read the instruction manual



Part #3

MK logo made in canada

Operating

Operating the Grader Leveler

To attach the Grader Leveler to the tractor; back the tractor to the Grader Leveler that is on level ground and fasten the lower 3ph link to the lower hitch mount. Lengthen or shorten the top link until the link can be pinned on the top hitch mount. This will ensure that the blade will be level with the ground and tractor when the blade is in working position. Adjust the top Link until the Leveler is parallel with the media that you want to level. The machine should float along the media to be leveled.

When using a skid steer loader the cutting edge mount can be reversed.

Storing the blade

Park or store the blade on a firm surface, concrete or wood planks in a dry place. When storing for an extended period, clean any dirt from the blade and coat any surfaces that have the paint worn off from use with a light coat of oil or rust protection.

Maintenance

MK Grader Leveler

Care and Maintenance

- After 1st 5 hours check all nuts and bolts and re-tighten if required
- At 10 hours check all nuts and bolts and re-tighten if required.
- Repeat at 5 hour intervals until all bolts have seated and stay tight.

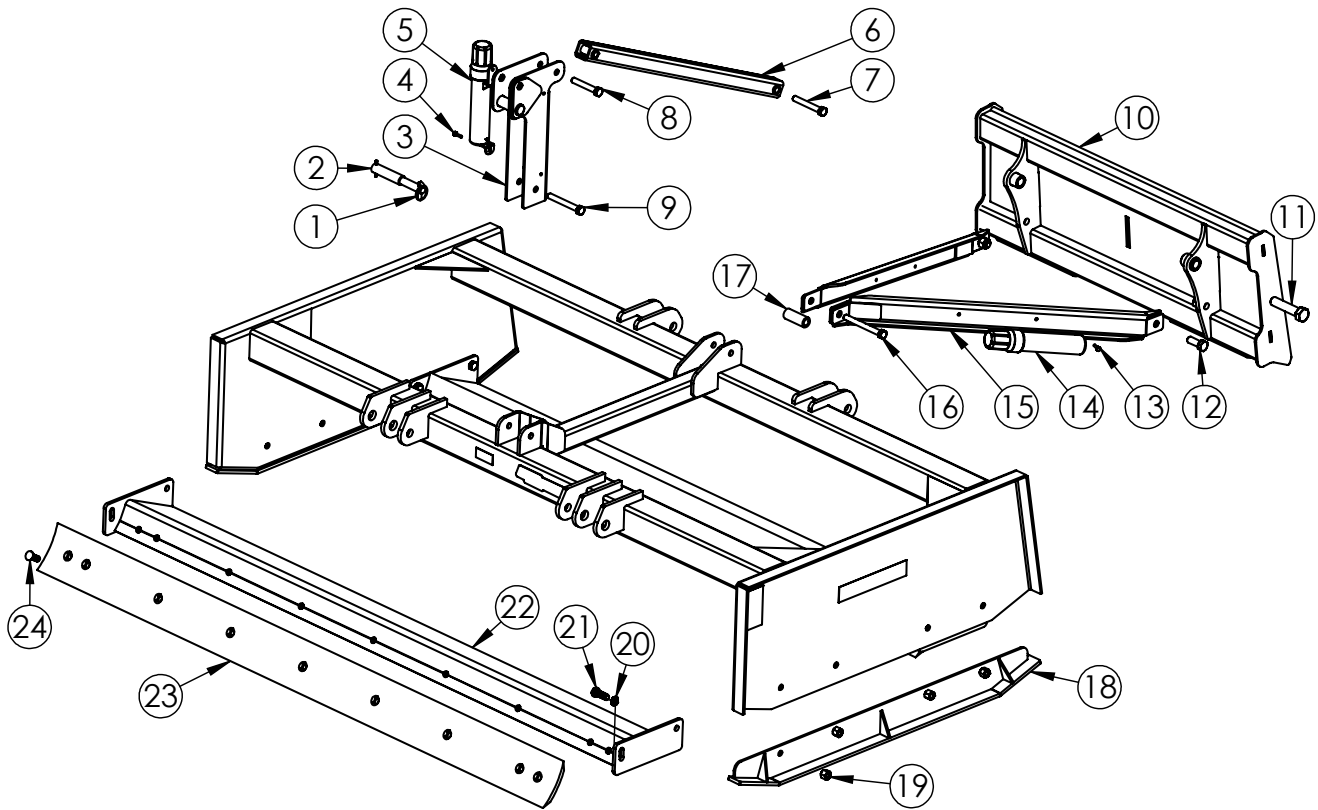
Storage of MK Grader Leveler

- Store MK Grader Leveler in a firm, dry area, and set on blocks if the area is not firm enough to support the equipment without sinking in.
- Clean off all caked dirt and mud.
- When Storing for a long period and rusting may be a problem, coat the parts that the paint has worn off with oil or a rust preventative. Wipe all excess oil off with a dry rag.

The Cutting Edge is reversible and after it shows considerable wear it can be reversed. Set the Grader Leveler on some secure blocks before removing the bolts.

Note! Cutting Edge is heavy! Handle with care and use heavy gloves!

M K Grader Leveler



Item #	Part #	Description	Qty
1	52656	Lynch Pin	2
2	50370	Hitch Pin	2
3	50723	Hitch Mast	1
4	OL	Flange Head Bolt 1/4x1 c/w Flange Nut	2
5	52649	OP Manual Tube	1
6	50724	Top Brace	1
7	OL	Bolt 5/8x4 1/2 c/w lw, n	1
8	OL	Bolt 5/8x4 c/w lw, n	1
9	OL	Bolt 5/8x5 c/w lw, n	1
10	23786	Loader Plate	1
11	OL	Bolt 1x4 4/2 c/w ln	2
12	OL	Bolt 3/4x2 c/w ln	2
13	OL	Flange Head Bolt 1/4x1 c/w Flange Nut	2
14	52649	OP Manual Tube	1
15	50521	Loader Plate Brace	2
16	OL	Bolt 5/8x6 c/w ln	1

M K Grader Leveler

Item #	Part #	Description	Qty
17	50510	Spacer	1
18	32861	Skid Shoe	2
19	OL	5/8 Locknut	8
20	54065	5/8 Nordlock Set	8
21	OL	Bolt 5/8x2 #5	8
22	32866	5' Cutting Edge Bracket	2
	32872	6' Cutting Edge Bracket	2
	32800	7' Cutting Edge Bracket	2
	32876	8' Cutting Edge Bracket	2
23	52787	5' Cutting Edge	2
	53089	6' Cutting Edge	2
	53090	7' Cutting Edge	2
	53918	8' Cutting Edge	2
24	OL	Plow Bolt 5/8x1 3/4 c/w n	(5ft) 14
	OL	Plow Bolt 5/8x1 3/4 c/w n	(6ft) 16
	OL	Plow Bolt 5/8x1 3/4 c/w n	(7ft) 18
	OL	Plow Bolt 5/8x1 3/4 c/w n	(8ft) 20

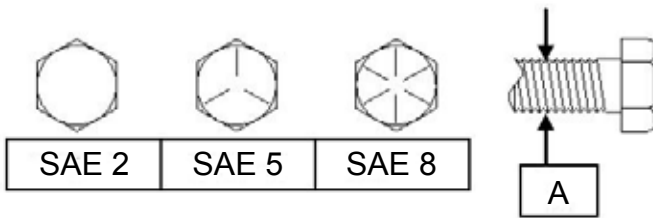
Bolt Torque

As used on this machine

- Bolt torque table shown below gives torque values for various bolts used.
- This chart is for non-lubricated threads.
- Replace with same strength bolt.

Torque Specifications. Torque values are identified by their head markings.

Diameter	SAE 2		SAE 5		SAE 8	
	<i>ft-lb</i>	<i>N.m</i>	<i>ft-lb</i>	<i>N.m</i>	<i>ft-lb</i>	<i>N.m</i>
"A"						
1/4	6	(8)	8	(11)	12	(16)
5/16	11	(15)	17	(24)	25	(33)
3/8	20	(27)	31	(42)	44	(59)
7/16	32	(43)	49	(67)	70	(95)
1/2	49	(66)	76	(105)	105	(145)
5/8	97	(130)	150	(205)	210	(285)
3/4	144	(195)	265	(360)	375	(510)
7/8	165	(225)	430	(585)	605	(820)
1	250	(340)	645	(875)	910	(1230)
1 1/8	355	(480)	795	(1080)	1290	(1750)
1 1/4	500	(680)	1120	(1520)	1820	(2460)
1 1/2	870	(1180)	1950	(2640)	3160	(4290)



Allen head cap screw are similar to SAE 8 quality

These torques are for reference only. Not all these sizes and grades are necessarily used in this machine. Bolts that are used as a pivot or hinge have to be used with a locknut, therefore only tighten enough to secure the bolt and still allowing the part to rotate freely.



MK Martin Enterprise Inc.
3950 Steffler Rd Elmira, ON, Canada N3B 2Z3

Tel: 519-664-2752
Toll Free: 1-855-664-2752
Fax: 519-664-3695
E-mail: sales@mkmartin.ca
www.mkmartin.ca