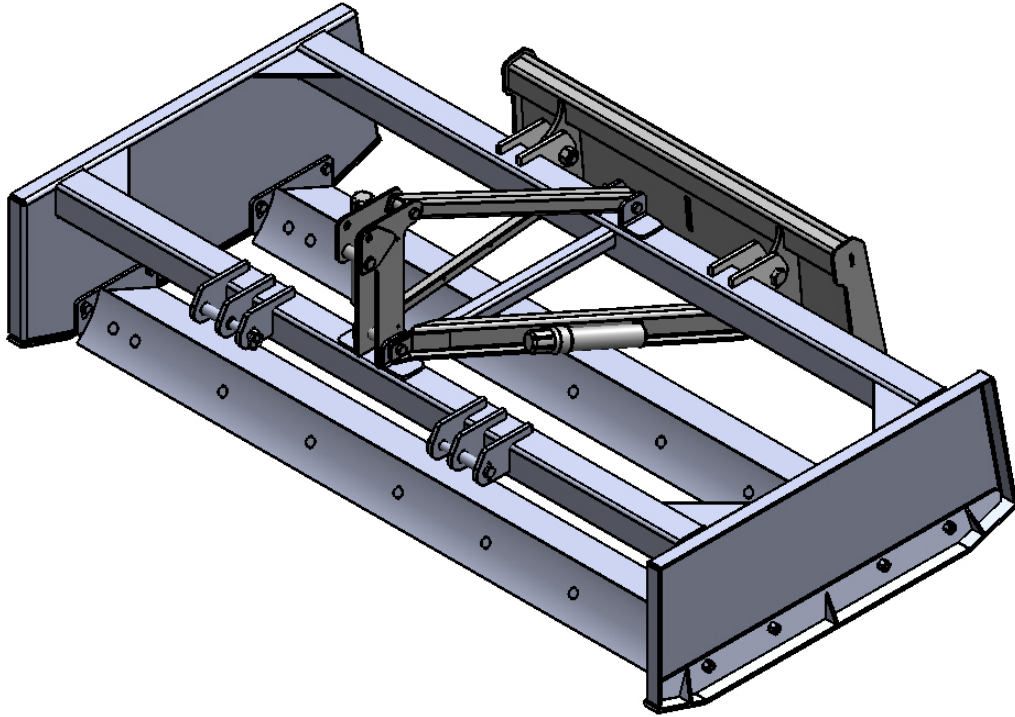




M K Martin GraderLeveler

Model- 578, 678, 778, 878

Operator, Parts and Service Manual



Manufactured By



**M K Martin Enterprise Inc
3950 Steffler Rd Elmira ON Ca N3B 2Z3**



Tel: 519-664-3752 -- 1-855-664-3752

Fax: 519-664-3695

e-mail: sales@mkmartin.ca

Grader Leveler Table of Contents

Warranty ---
Sign off Sheet---
Safety ---
Parts ---
Operation ---
Maintenance --
Bolt Torque --

M Grader Leveler

M Grader Leveler is ruggedly built with a reversible cutting edge to give you years of dependable service. This blade is designed for maintaining the grade of your graveled yards and driveways and landscaping.

Warranty and Limitation of Liability

All equipment is sold subject to mutual agreement that is warranted by M K Martin enterprise Inc (hereafter called the company) of any defects of material and workmanship. The company shall not be liable for special, indirect or consequential damage of any kind under this contract or otherwise. The company's liability shall be limited exclusively to replacing or repairing without charge at its factory or elsewhere, at its discretion, any material or workmanship defects which become apparent within one year from date of purchase. *This will allow you one complete year of use in all conditions.* The company will have no liability for damages of any kind. The buyer, by the acceptance of the equipment will assume all liability for any damages which may be the result from the use or misuse by by the employees or others.

Warranty coverage is null and void if any unauthorized repairs or alterations are performed to this equipment.

This Warranty does not cover **Rental/Commercial or Industrial** use of this equipment. This equipment is rated agricultural.

Warranty is also null and void unless this warranty Registration is completely filled out and is on file at M K Martin Enterprise Inc.

This information is exclusively for registration and warranty purposes only. It shall not be shared sold or otherwise divulged to 3rd parties.

To register please cut and mail the bottom or fax the whole page.

We will also accept electronic registration by e-mail or through the website. We need name, address, purchase date, model and serial number.

For you record

Purchase Date Y20---- M ----

Model # -----

Serial # -----

Please cut at dotted line and return this registration form to the company via, Mail

✂-----

Grader Leveler

M K Martin Enterprise Inc
3950 Steffler Rd Elmira On Ca N3B 2Z3
sales@mkmartin.ca

Name or Purchaser

Name -----

Address -----

Postal Code/Zip Code

Purchase Date Y 20--- M ----

Model # -----

Serial # -----

Safety

Take Note! This safety symbol is found throughout this manual to draw your attention to instructions involving yourself and others working around this equipment.

- **Failure to follow these instructions can result in Injury or Death!**



This symbol means

--- Attention!

--- Become Alert!

--- You are involved in your Safety!

Signal words used in this booklet

Caution: indicates a potentially hazardous situation that may result in injury!

Warning: Indicates a potentially hazardous situation that could result in serious injury or death!

Danger: Indicates a hazardous situation that needs to be avoided! It is you, the operator that has to be aware of these dangers!

If you have any questions not answered in this booklet please contact your dealer or

M K Martin Enterprise Inc
3950 Steffler Rd Elmira On. Ca.
N3B 2Z3

Tel: 519-664-3695

Fax: 519-664-3695

e-mail: sales@mkmartin.ca



Safety -- It's in your interest!



Safety Guidelines.

Safety of the operator is one of our main concerns, however it is up to you the operator to practice caution.

To avoid personal injury, study the following precautions and insist that those working with you to follow them.

The Grader Leveler is a very basic piece of equipment. Clear the area of people and especially children, as your attention is concentrated on what the blade is doing rather than the surrounding space. Try to stay aware of your surroundings.

When adjusting or replacing parts, do not place yourself or other persons or any part of your body under a raised blade.

Do not use this machine while under the influence of drugs or alcohol.

Review the safety instructions annually.

This equipment should not be operated by children: or those unfamiliar with the operation of the Grader Leveler.

Do not allow persons to operate this machine until they have read this manual and/or were instructed by a qualified person.



Please be careful with the extra weight on the back of the tractor. It may be necessary to add extra weights to the front of the tractor to keep it balanced properly.

Operating the GraderLeveler

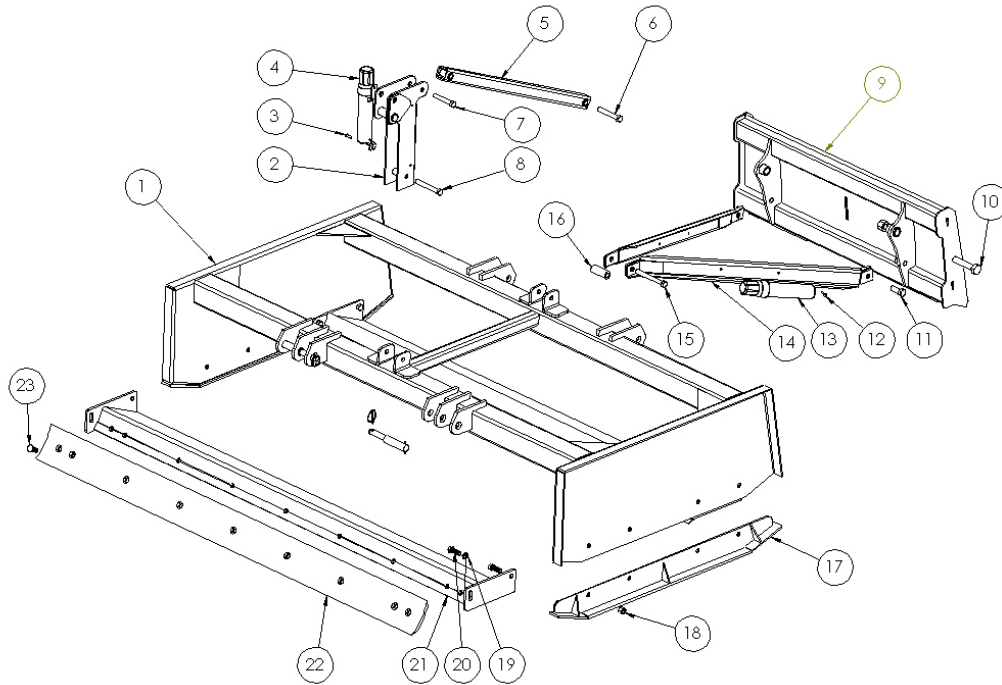
To attach the Grader Leveler to the tractor; back the tractor to the Grader Leveler that is on level ground and fasten the lower 3ph link to the lower hitch mount. Lengthen or shorten the top link until the link can be pinned on the top hitch mount. This will ensure that the blade will be level with the ground and tractor when the blade is in working position. The Adjust the top Link until the Leveler is parallel with the media that you want to level. The machine should float along the media to be levelled.

When using a skid steer loader the cutting edge mount can be reversed.

Storing the blade

Park or store the blade on a firm surface, concrete or wood planks in a dry place. When storing for an extended period, clean any dirt from the blade and coat any surfaces that have the paint worn off from using with a light coat of oil or rust protection.

MK Grader Leveler



Item #	Description	Part #	Qty
1	5 Ft Main Frame	32868	1
	6 Ft Main Frame	32869	1
	7 Ft Main Frame	32793	1
	8 Ft Main Frame	32878	1
2	Hitch Mast	50723	1
3	RH Bolt 1/4x1 c/w ln	OL	2
4	Op Manual Tube	DJA7011	1
5	Top Brace	50724	1
6	Bolt 5/8x4 1/2 c/w lw, n	OL	1
7	Bolt 5/8x4 c/w lw, n	OL	1
8	Bolt 5/8x5 c/w lw, n	OL	1
9	Loader Plate	23786	1
10	Bolt 1x4 1/2 c/w ln	OL	2
11	Bolt 3/4x2 c/w ln	OL	2
12	RH Bolt 1/4x1 c/w ln	OL	2
13	Po Manual Tube	DJA7011	1
14	Loader Plate Brace	50521	1
15	Bolt 5/8x6 c/w ln	OL	1
16	Spacer	50510	1
17	Skid Shoe	32861	2
18	Locknut 5/8	OL	8
19	5/8 Nordlock Set	knp677-A75-1M	8
20	Bolt 5/8x1 3/4 #5	OL	8

Item #	Description	Part #	Qty
21	5 Ft Cutting Edge Mount	32866	2
	6 Ft Cutting Edge Mount	32872	2
	7 Ft Cutting Edge Mount	32800	2
	8 Ft Cutting Edge Mount	32876	2
22	5 Ft Cutting Edge	783-100-504	1
	6 Ft Cutting Edge	783-100-604	1
	7 Ft Cutting Edge	783-100-704	1
	8 Ft Cutting Edge	7863-100-804	1
23	Plow Bolt 5/8x1 3/4 c/w n	OL	(5ft) 14
	Plow Bolt 5/8x1 3/4 c/w n	OL	(6Ft) 16
	Plow Bolt 5/8x1 3/4 c/w n	OL	(7 Ft) 18
	Plow Bolt 5/8x1 3/4 c/w n	OL	(8 Ft) 20

MK Grader Leveler

Care and Maintenance

After 1st 5 hours check all nuts and bolts and retighten if required
At 10 hours check all nuts and bolts and retighten if required.
Repeat at 5 hour intervals until all bolts have seated and stay tight.

Storage of MK Grader Leveler

Store MK Grader Leveler in a firm, dry area, and set on blocks if the area is not firm enough to support the equipment without sinking in.

Clean off all caked dirt and mud.

When Storing for a long period and rusting may be a problem, coat the parts that the paint has worn off with oil or a rust preventative. Wipe all excess oil off with a dry rag.

The Cutting Edge is reversible and after it shows considerable wear it can be reversed.

- 1 Set the Grader Leveler on some secure blocks and remove the bolts.

Note! Cutting Edge is heavy! Handle with care and use heavy gloves!

Bolt Torque

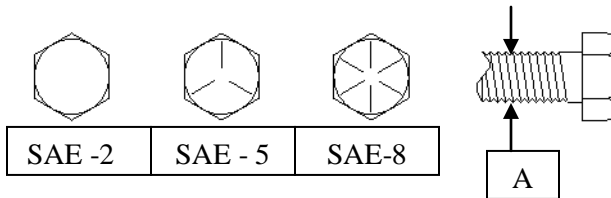
As used on this equipment

Bolt torque table shown below gives torque values for the various bolts used. This chart is for non-lubricated threads. Replace with the same strength bolt.

Torque Specifications. Torque values are identified by their head markings

Diameter	SAE 2		SAE 5		SAE 8	
	Lb-ft	N.m	Lb-ft	N.m	Lb-ft	N.m
1/4	6	(8)	9	(12)	12	(17)
5/16	10	(13)	19	(25)	27	(36)
3/8	20	(27)	33	(45)	45	(63)
7/16	30	(41)	53	(72)	75	(100)
1/2	45	(61)	80	(110)	115	(155)
5/8	95	(128)	160	(215)	220	(305)
3/4	165	(225)	290	(390)	400	(540)
1	225	(345)	630	(850)	970	(1320)

Allen head cap screws are similar to SAE 8 quality.



These torques are for a reference only. Not all these sizes and grades are necessarily used in this machine. Bolts that are used as a pivot or hinge have to be used with a locknut, therefore only tighten enough to secure the bolt and still allowing the part to rotate freely.